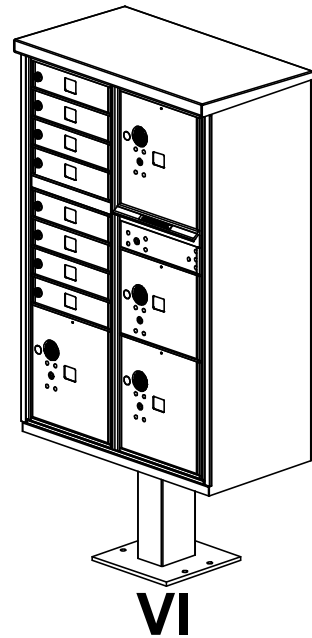
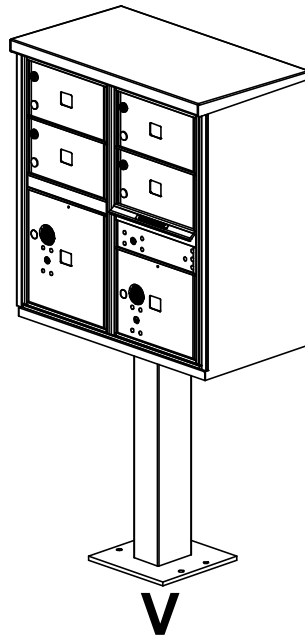
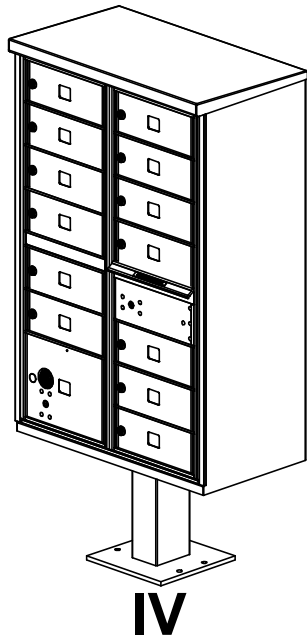
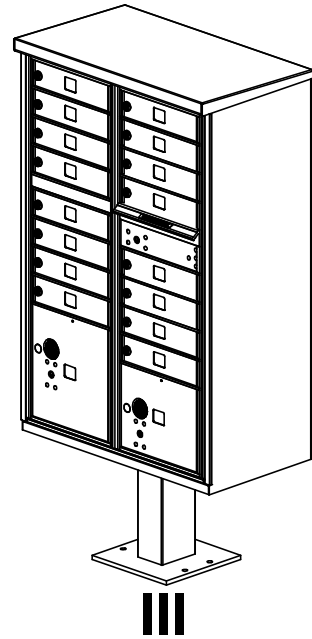
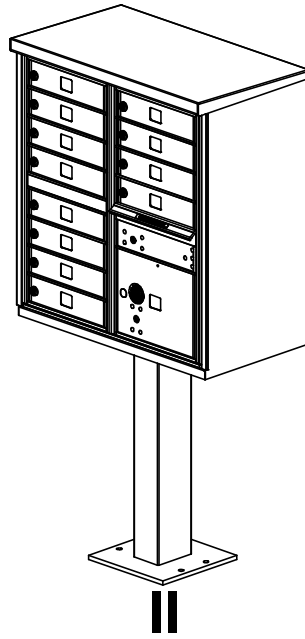
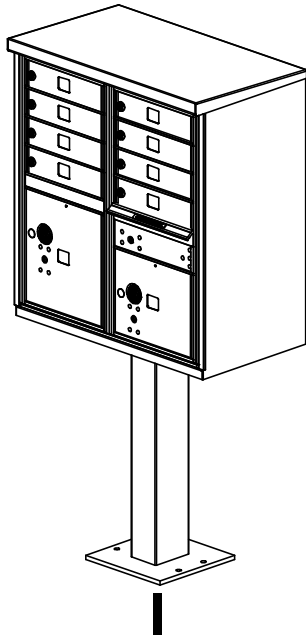


CLUSTER BOX UNITS (CBU's) MAINTENANCE MANUAL "F" SPECIFICATIONS

TYPE	I	II	III	IV	V	VI
MODEL	3308	3312	3316	3313	3305	3306

SALSBURY INDUSTRIES

18300 Central Avenue, Carson, CA 90746-4008
Phone: 1-800-624-5269 Int'l Phone: 323-846-6700
Fax: 1-800-624-5299 Int'l Fax: 323-846-6800
www.mailboxes.com engineering@mailboxes.com



	<i>TYPE I</i>	<i>TYPE II</i>	<i>TYPE III</i>	<i>TYPE IV</i>	<i>TYPE V</i>	<i>TYPE VI</i>
QTY OF TENANT COMPARTMENTS	8	12	16	13	4	8
QTY OF PARCEL COMPARTMENTS	2	1	2	1	2	4
PARCEL COMPARTMENT HEIGHT	10", 13"	10"	10", 13"	10"	10", 13"	10", 13" (3X)

SALSBURY INDUSTRIES

18300 Central Avenue, Carson, CA 90746-4008
 Phone: 1-800-624-5269 Int'l Phone: 323-846-6700
 Fax: 1-800-624-5299 Int'l Fax: 323-846-6800
 www.mailboxes.com engineering@mailboxes.com

TABLE OF CONTENTS

DESCRIPTION	PAGE
REPLACEMENT OF MASTER LOADING DOOR HOLD OPEN MECHANISM	4
REMOVAL OF INSERT ASSEMBLY	6
REPLACEMENT OF MASTER LOADING DOOR	8
REPLACEMENT OF HINGE ROD	10
REPLACEMENT OF RIGHT SIDE PATRON COMPARTMENT DOOR	12
REPLACEMENT OF ARROW LOCK DOOR	14
REPLACEMENT OF RIGHT SIDE PARCEL DOOR	16
REPLACEMENT OF LEFT SIDE PATRON COMPARTMENT DOOR	18
REPLACEMENT OF LEFT SIDE PARCEL DOOR	20
REPLACEMENT OF PATRON LOCK	22
REPLACEMENT OF ARROW LOCK	24
REPLACEMENT OF ARROW LOCK LATCH/SLIDE HANDLE	26
REPLACEMENT OF PARCEL LOCK ASSEMBLY	28
REPLACEMENT OF PARCEL DOOR SPRING	30
REPLACEMENT OF SHELF	32
REPLACEMENT OF MASTER LOADING DOOR SLIDE MECHANISM	34
REPLACEMENT OF PEDESTAL	36

SALSBURY INDUSTRIES

18300 Central Avenue, Carson, CA 90746-4008
 Phone: 1-800-624-5269 Int'l Phone: 323-846-6700
 Fax: 1-800-624-5299 Int'l Fax: 323-846-6800
 www.mailboxes.com engineering@mailboxes.com

REPLACEMENT OF MASTER LOADING DOOR HOLD OPEN MECHANISM TYPES I, II, III AND IV

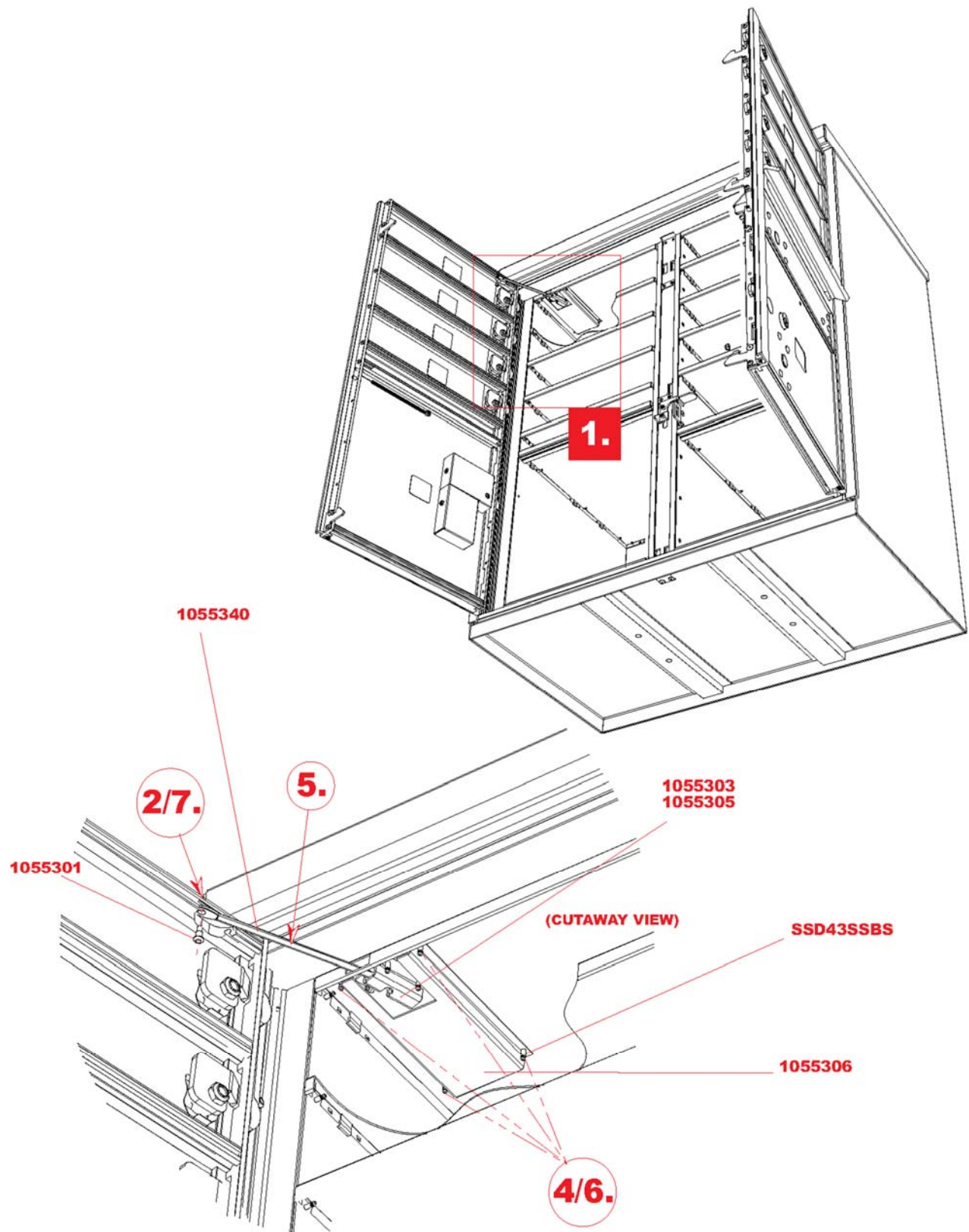
1. OPEN MASTER LOADING DOORS
2. TO DISENGAGE HOLD OPEN MECHANISM:
REMOVE ONE (1) 1055301 6-32 TORX HEAD SHOULDER SCREW
3. TO REPLACE HOLD OPEN MECHANISM:
REMOVE INSERT ASSEMBLY (SEE INSTRUCTIONS PAGE 6)
4. DRILL OUT SEVEN (7) SSD43SSBS 1/8" POP RIVETS AND REMOVE THE 1055306 HOLD OPEN GUARD AND THE 1055305 LATCH HOLD OPEN BRACKET (LEFT SIDE); 1055303 LATCH HOLD OPEN BRACKET (RIGHT SIDE)
5. REMOVE/REPLACE 1055340 HOLD OPEN ARM
6. REPLACE HOLD OPEN GUARD AND HOLD OPEN BRACKET - REPLACE SEVEN (7) SSD43SSBS 1/8" POP RIVETS
7. REATTACH HOLD OPEN ARM WITH 1055301 6-32 TORX HEAD SHOULDER SCREW
8. CLOSE MASTER LOADING DOORS

REQUIRED TOOLS	PART #	DESCRIPTION
CORDLESS DRILL	SSD43SSBS	1/8" DIA X .328" POP RIVET SS
PORTABLE POP RIVET GUN	1055301	6-32 X .187 TORX HEAD SCREW
1/8" DRILL BIT	1055303	LATCH HOLD OPEN BRACKET - RT
T-15 TORX SCREWDRIVER/BIT	1055305	LATCH HOLD OPEN BRACKET - LT
	1055306	HOLD OPEN GUARD
	1055340	HOLD OPEN ARM

SALSBURY INDUSTRIES

18300 Central Avenue, Carson, CA 90746-4008
 Phone: 1-800-624-5269 Int'l Phone: 323-846-6700
 Fax: 1-800-624-5299 Int'l Fax: 323-846-6800
 www.mailboxes.com engineering@mailboxes.com

REPLACEMENT OF MASTER LOADING DOOR HOLD OPEN MECHANISM



SALSBURY INDUSTRIES

18300 Central Avenue, Carson, CA 90746-4008
Phone: 1-800-624-5269 Int'l Phone: 323-846-6700
Fax: 1-800-624-5299 Int'l Fax: 323-846-6800
www.mailboxes.com engineering@mailboxes.com

REMOVAL OF INSERT ASSEMBLY

TYPES I, II, III AND IV

- 1.** OPEN MASTER LOADING DOORS
- 2.** DISENGAGE HOLD OPEN MECHANISMS
(SEE INSTRUCTIONS PAGE 4)
- 3.** [FOR TYPES I, II] REMOVE EIGHT (8)
1055458 8-32 TORX HEAD SCREWS FROM
INSERT ASSEMBLY
[FOR TYPES III, IV] REMOVE TWELVE (12)
1055458 8-32 TORX HEAD SCREWS FROM
INSERT ASSEMBLY
- 4.** DRILL OUT FOUR (4) SSD66SSBS 3/16"
POP RIVETS AT BOTTOM OF SLIDE
MECHANISM AND REMOVE BRACKET
- 5.** SLIDE INSERT ASSEMBLY OUT PARTIALLY
TO MAKE REPAIRS TO MASTER LOADING
DOORS, OTHERWISE REMOVE INSERT AS-
SEMBLY AND LAY FLAT ON BACK
- 6.** REPLACE WITH NEW INSERT ASSEMBLY
- 7.** [FOR TYPES I, II] REPLACE EIGHT (8)
1055458 8-32 TORX HEAD SCREWS FROM
INSERT ASSEMBLY
[FOR TYPES III, IV] REPLACE TWELVE (12)
1055458 8-32 TORX HEAD SCREWS FROM
INSERT ASSEMBLY
- 8.** REPLACE FOUR (4) SSD66SSBS 3/16" POP
RIVETS AT BOTTOM OF SLIDE MECHANISM
AND REPLACE BRACKET
- 9.** REPLACE HOLD OPEN MECHANISMS
(SEE INSTRUCTIONS PAGE 6) AND CLOSE
MASTER LOADING DOORS

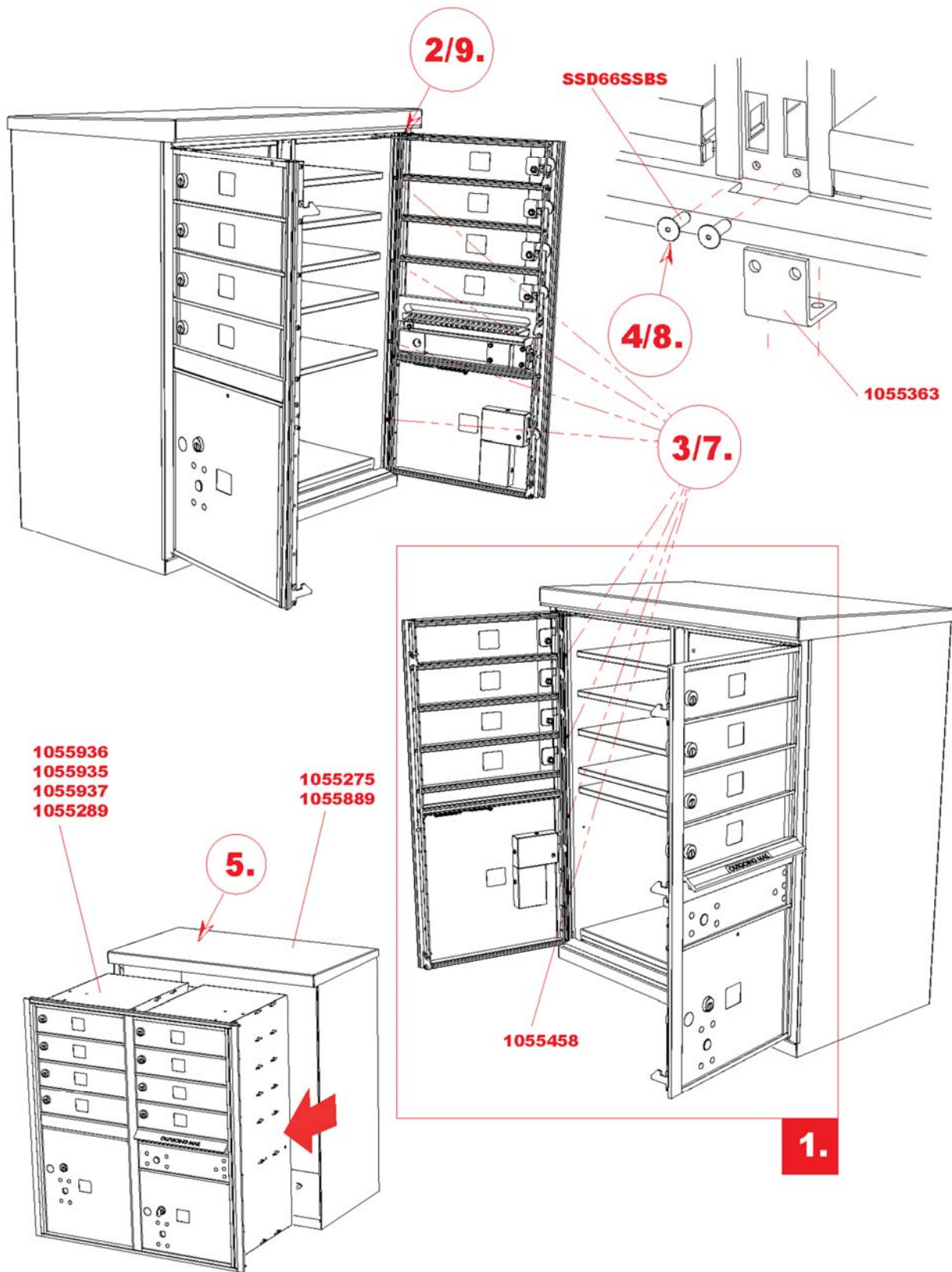
REQUIRED TOOLS
PORTABLE DRILL
T-20 TORX HEAD SCREWDRIVER/BIT
PORTABLE POP RIVET GUN
HAMMER
PLIERS

PART #	DESCRIPTION
1055275	CABINET ASSEM. FOR TYPE III, IV
SSD66SSBS	3/16" DIA X .55 L SS POP RIVET
1055936	INSERT ASSEM. FOR TYPE I
1055889	CABINET ASSEM. FOR TYPE I, II
1055458	8-32 X 1/2" TORX HEAD SCREW
1055363	BRACKET
1055935	INSERT ASSEM. FOR TYPE IV
1055937	INSERT ASSEM. FOR TYPE II
1055289	INSERT ASSEM. FOR TYPE III

SALSBURY INDUSTRIES

18300 Central Avenue, Carson, CA 90746-4008
 Phone: 1-800-624-5269 Int'l Phone: 323-846-6700
 Fax: 1-800-624-5299 Int'l Fax: 323-846-6800
 www.mailboxes.com engineering@mailboxes.com

REMOVAL OF INSERT ASSEMBLY



SALSBURY INDUSTRIES

18300 Central Avenue, Carson, CA 90746-4008
 Phone: 1-800-624-5269 Int'l Phone: 323-846-6700
 Fax: 1-800-624-5299 Int'l Fax: 323-846-6800
 www.mailboxes.com engineering@mailboxes.com

REPLACEMENT OF MASTER LOADING DOOR TYPES I, II, III AND IV

- 1.** OPEN MASTER LOADING DOORS
- 2.** DISENGAGE HOLD OPEN MECHANISMS FROM TOP OF MASTER LOADING DOORS (SEE INSTRUCTIONS PAGE 4)
- 3.** REMOVE INSERT ASSEMBLY (SEE INSTRUCTIONS PAGE 6)
- 4.** CLOSE MASTER LOADING DOORS AND REMOVE FOUR (4) 1055300 8-32 STAINLESS STEEL TORX HEAD SCREWS
- 5.** REMOVE ONE (1) 1055338 TOP FRAME BRACE EXPOSING MASTER LOADING DOOR HINGES
- 6.** SLIDE MASTER LOADING DOOR OUT THROUGH TOP OF INSERT ASSEMBLY AND REPLACE WITH NEW MASTER LOADING DOOR
- 7.** CLOSE MASTER LOADING DOORS AND REPLACE FOUR (4) 1055300 8-32 STAINLESS STEEL TORX HEAD SCREWS. REPLACE ONE (1) 1055338 TOP FRAME BRACE CONCEALING MASTER LOADING DOOR HINGES
- 8.** REPLACE INSERT ASSEMBLY (SEE INSTRUCTIONS PAGE 6)
- 9.** REPLACE HOLD OPEN MECHANISM (SEE INSTRUCTIONS PAGE 4)

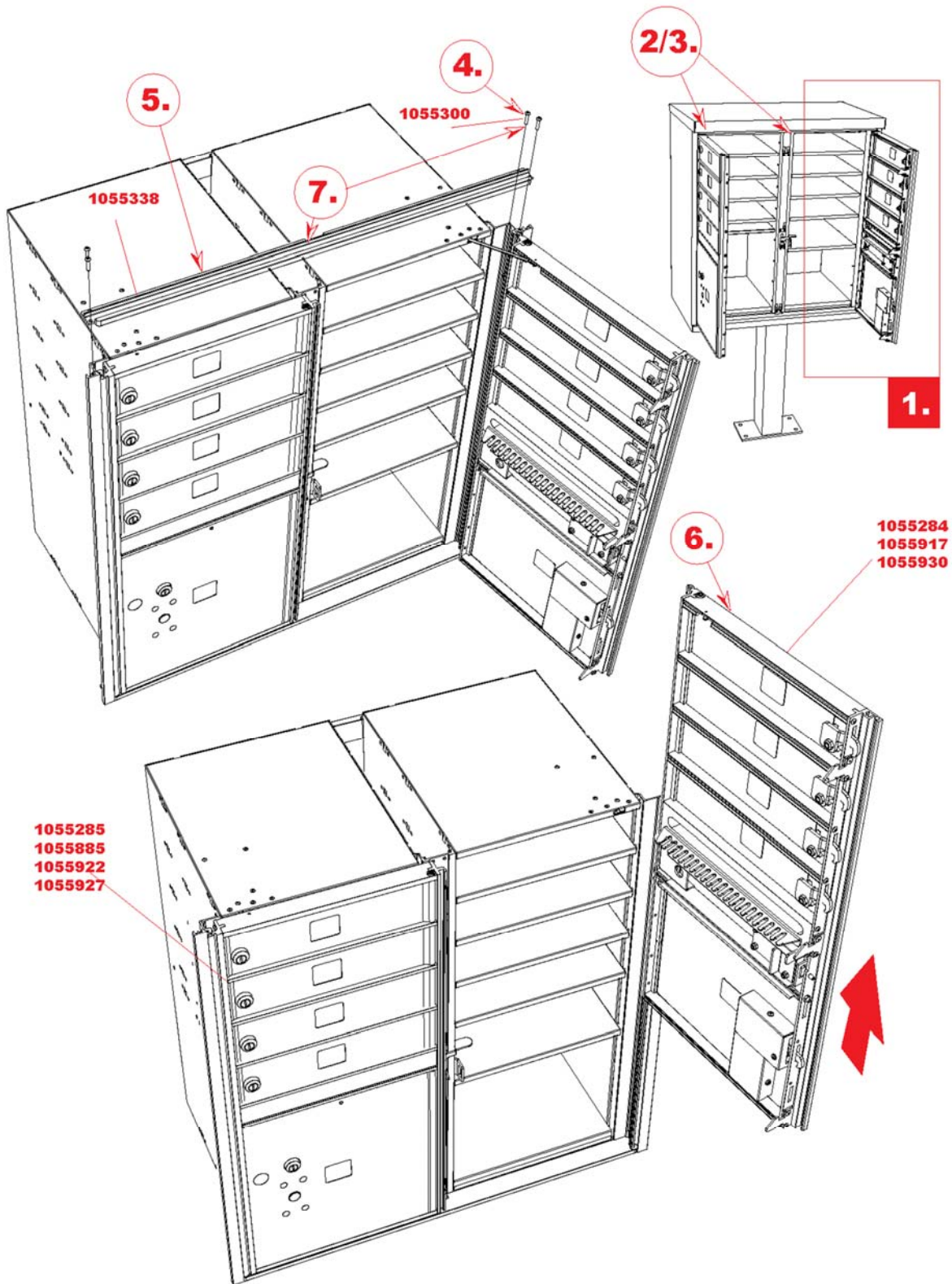
REQUIRED TOOLS
T-15 TORX HEAD SCREWDRIVER/BIT
PORTABLE DRILL
PLIERS

PART #	DESCRIPTION
1055300	8-32 X .75" SS TORX HEAD SCREW
1055338	TOP FRAME BRACE
1055284	RIGHT MLD ASSEM. FOR TYPE III
1055285	LEFT MLD ASSEM. FOR TYPE III
1055917	RIGHT MLD ASSEM. FOR TYPES I, II
1055885	LEFT MLD ASSEM. FOR TYPE I
1055922	LEFT MLD ASSEM. FOR TYPE II
1055927	LEFT MLD ASSEM. FOR TYPE IV
1055930	RIGHT MLD ASSEM. FOR TYPE IV

SALSBUURY INDUSTRIES

18300 Central Avenue, Carson, CA 90746-4008
 Phone: 1-800-624-5269 Int'l Phone: 323-846-6700
 Fax: 1-800-624-5299 Int'l Fax: 323-846-6800
 www.mailboxes.com engineering@mailboxes.com

REPLACEMENT OF MASTER LOADING DOOR



SALSBURY INDUSTRIES

18300 Central Avenue, Carson, CA 90746-4008
 Phone: 1-800-624-5269 Int'l Phone: 323-846-6700
 Fax: 1-800-624-5299 Int'l Fax: 323-846-6800
 www.mailboxes.com engineering@mailboxes.com

REPLACEMENT OF HINGE ROD

TYPES I, II, III AND IV

- 1.** OPEN MASTER LOADING DOOR
- 2.** DISENGAGE HOLD OPEN MECHANISM FROM TOP OF MASTER LOADING DOOR (SEE INSTRUCTIONS PAGE 4)
- 3.** COMPLETELY OPEN MASTER LOADING DOOR SO THAT THE HINGE PIN IS VISIBLE / AND OR COMPLETELY REMOVE INSERT ASSEMBLY (SEE INSTRUCTIONS PAGE 6)
- 4.** REMOVE ONE (1) 129155 10-32 HEX LOCK NUT
- 5.** WITH THE HAMMER AND 1/8" ROD, TAP THE HINGE ROD TO DISLODGE THE 1055362 THREADED INSERT
- 6.** PULL OUT HINGE ROD WITH PLIERS FROM THE BOTTOM
- 7.** REPLACE HINGE ROD BY REVERSING STEPS 4-6, USING A CORDLESS DRILL ATTACHED TO THE HINGE ROD TO EASE THE INSERTION INTO THE MASTER LOADING DOOR (IF NECESSARY)
- 8.** REPLACE HOLD OPEN MECHANISM (SEE INSTRUCTIONS PAGE 4)

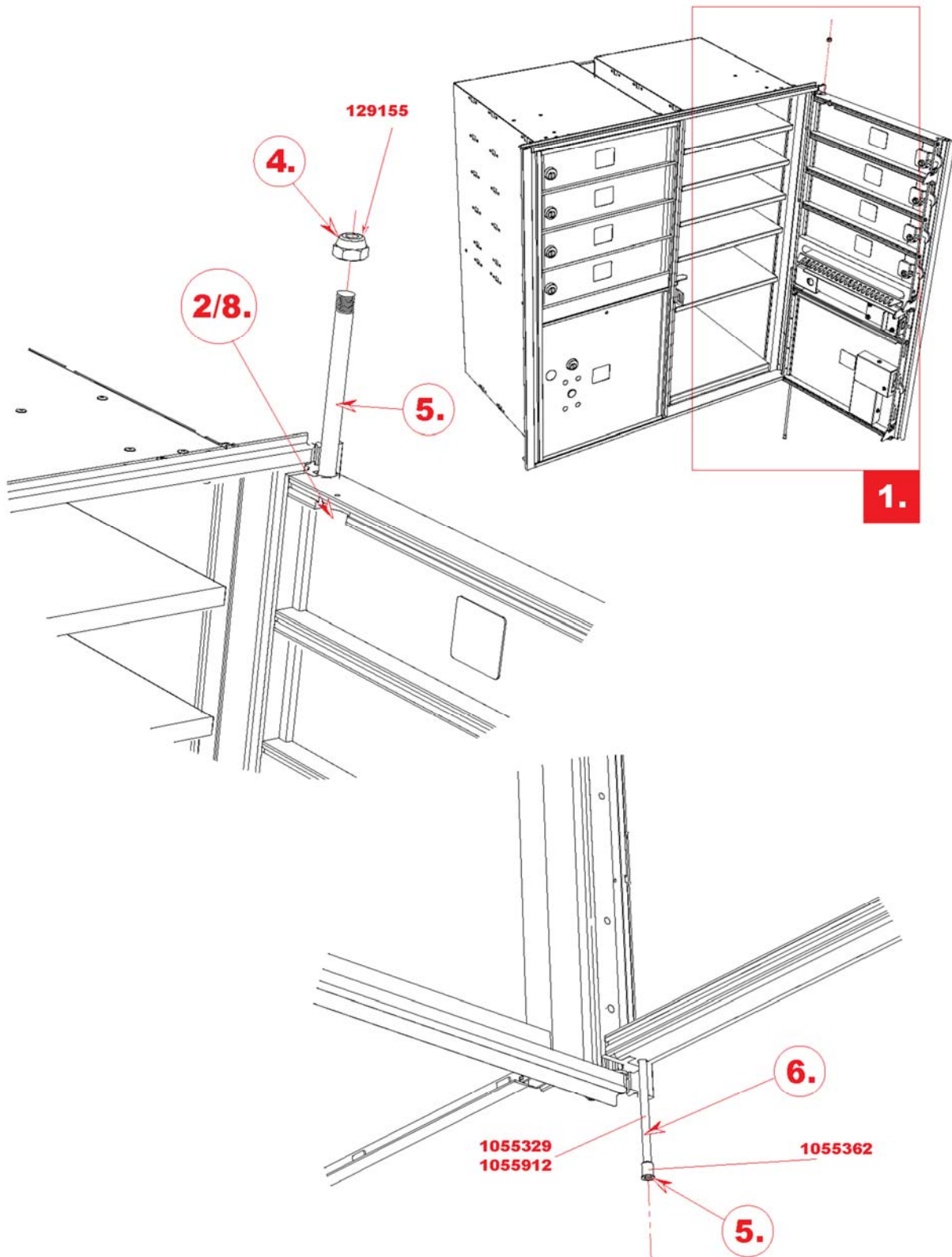
WARNING: DOORS CAN FALL OUT WITH HINGE PIN REMOVED.

REQUIRED TOOLS	PART #	DESCRIPTION
1/8" ROD	129155	10-32 HEX LOCK NUT
PORTABLE DRILL	1055329	HINGE ROD (TYPE III AND IV)
HAMMER	1055912	HINGE ROD (TYPE I AND II)
PLIERS	1055362	THREADED INSERT

SALSBURY INDUSTRIES

18300 Central Avenue, Carson, CA 90746-4008
 Phone: 1-800-624-5269 Int'l Phone: 323-846-6700
 Fax: 1-800-624-5299 Int'l Fax: 323-846-6800
 www.mailboxes.com engineering@mailboxes.com

REPLACEMENT OF HINGE ROD



SALSBURY INDUSTRIES

18300 Central Avenue, Carson, CA 90746-4008
Phone: 1-800-624-5269 Int'l Phone: 323-846-6700
Fax: 1-800-624-5299 Int'l Fax: 323-846-6800
www.mailboxes.com engineering@mailboxes.com

REPLACEMENT OF RIGHT SIDE PATRON COMPARTMENT DOOR TYPES I, II, III, AND IV

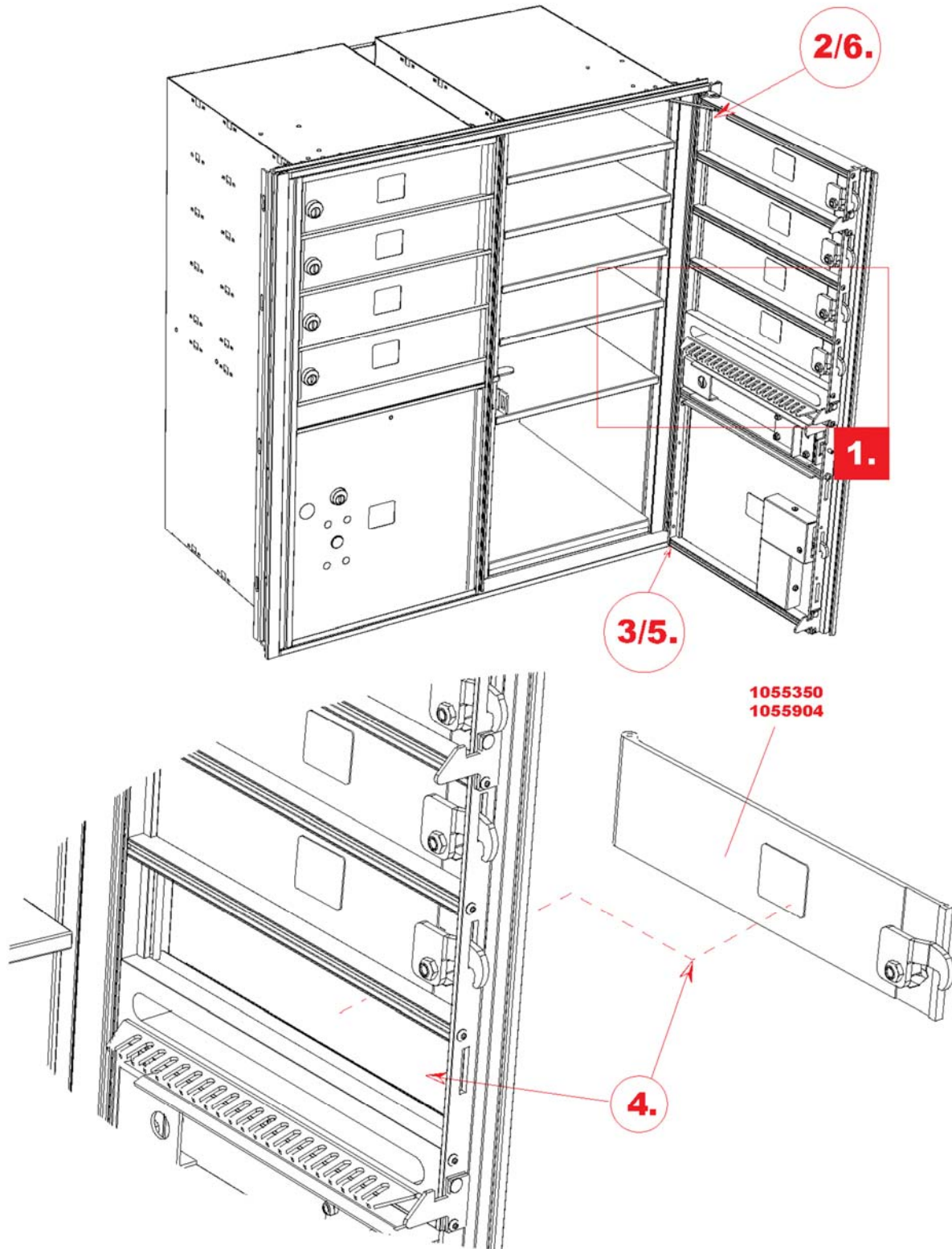
- 1.** OPEN MASTER LOADING DOOR
- 2.** DISENGAGE HOLD OPEN MECHANISM FROM TOP OF MASTER LOADING DOOR (SEE INSTRUCTIONS PAGE 4)
- 3.** REMOVE HINGE ROD (SEE INSTRUCTIONS - PAGE 10)
- 4.** REPLACE COMPARTMENT DOOR 1055350 FOR TYPE I, II, AND III, OR 1055904 FOR TYPE IV
- 5.** REINSTALL HINGE ROD (SEE INSTRUCTIONS - PAGE 10)
- 6.** REPLACE HOLD OPEN MECHANISM (SEE INSTRUCTIONS PAGE 4)
- 7.** INSTALL PARTON LOCK ASSEMBLY (SEE INSTRUCTIONS PAGE 22)

REQUIRED TOOLS	PART #	DESCRIPTION
1/8" ROD	1055329	HINGE ROD (TYPE III AND IV)
PORTABLE DRILL	1055904	5" COMPARTMENT DOOR
HAMMER	1055350	3" COMPARTMENT DOOR
PLIERS	1055912	HINGE ROD (TYPE I AND II)

SALSBURY INDUSTRIES

18300 Central Avenue, Carson, CA 90746-4008
 Phone: 1-800-624-5269 Int'l Phone: 323-846-6700
 Fax: 1-800-624-5299 Int'l Fax: 323-846-6800
 www.mailboxes.com engineering@mailboxes.com

**REPLACEMENT OF RIGHT SIDE PATRON
COMPARTMENT DOOR**



SALSBURY INDUSTRIES

18300 Central Avenue, Carson, CA 90746-4008
Phone: 1-800-624-5269 Int'l Phone: 323-846-6700
Fax: 1-800-624-5299 Int'l Fax: 323-846-6800
www.mailboxes.com engineering@mailboxes.com

REPLACEMENT OF ARROW LOCK DOOR

TYPES I, II, III AND IV

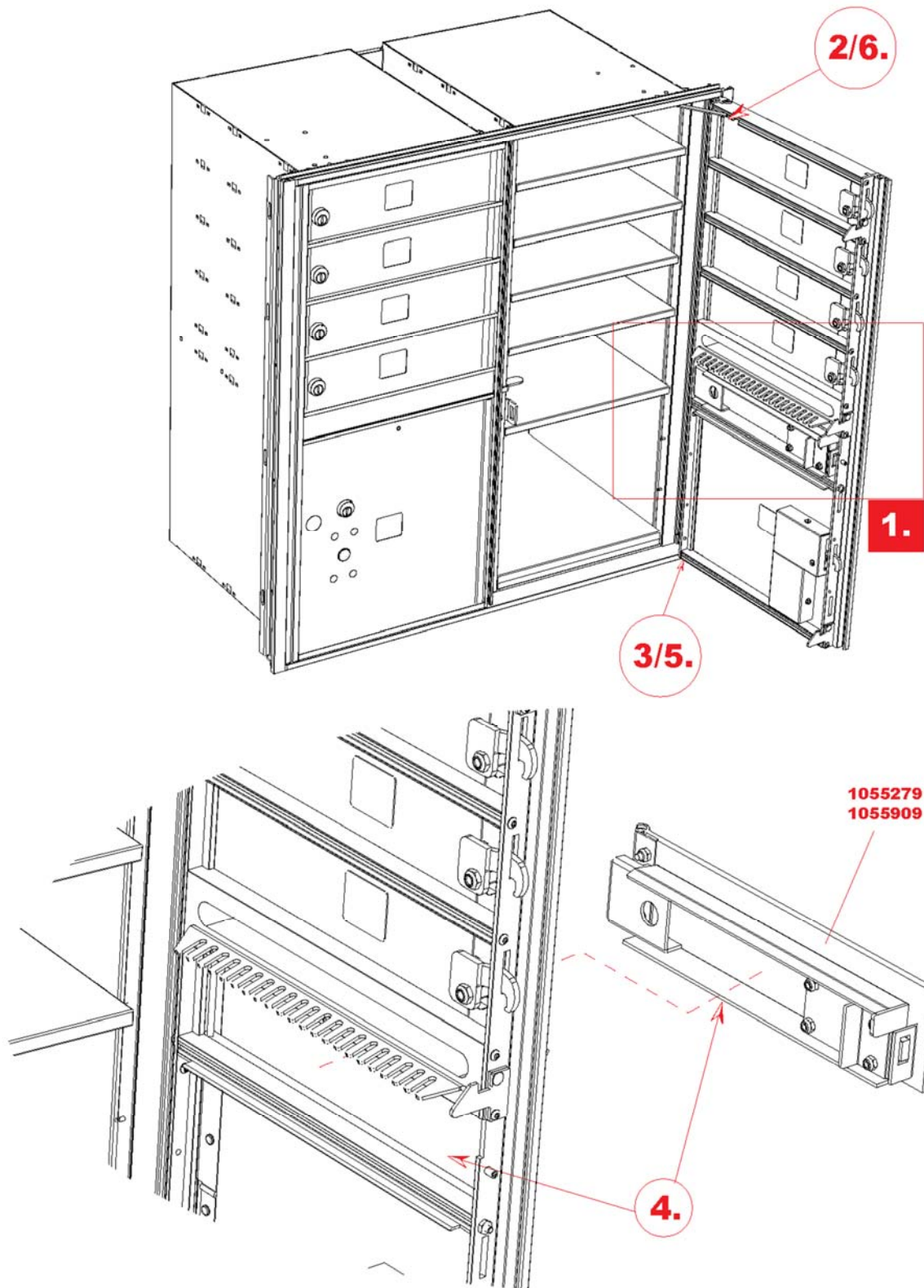
- 1.** OPEN MASTER LOADING DOOR
- 2.** DISENGAGE HOLD OPEN MECHANISM FROM TOP OF MASTER LOADING DOOR (SEE INSTRUCTIONS PAGE 4)
- 3.** REMOVE HINGE ROD (SEE INSTRUCTIONS PAGE 10)
- 4.** REPLACE COLLECTION DOOR 1055279 FOR TYPES I, II, AND III, OR 1055909 FOR TYPE IV
- 5.** REINSTALL HINGE ROD (SEE INSTRUCTIONS PAGE 10)
- 6.** REPLACE HOLD OPEN MECHANISM (SEE INSTRUCTIONS PAGE 4)
- 7.** INSTALL ARROW LOCK (SEE INSTRUCTIONS PAGE 24)

REQUIRED TOOLS	PART #	DESCRIPTION
1/8" ROD	1055329	HINGE ROD (TYPE III AND IV)
PORTABLE DRILL	1055279	3" COLLECTION DOOR
HAMMER	1055909	5" COLLECTION DOOR
PLIERS	1055912	HINGE ROD (TYPE I AND II)

SALSBURY INDUSTRIES

18300 Central Avenue, Carson, CA 90746-4008
 Phone: 1-800-624-5269 Int'l Phone: 323-846-6700
 Fax: 1-800-624-5299 Int'l Fax: 323-846-6800
 www.mailboxes.com engineering@mailboxes.com

REPLACEMENT OF ARROW LOCK DOOR



SALSBURY INDUSTRIES

18300 Central Avenue, Carson, CA 90746-4008
Phone: 1-800-624-5269 Int'l Phone: 323-846-6700
Fax: 1-800-624-5299 Int'l Fax: 323-846-6800
www.mailboxes.com engineering@mailboxes.com

REPLACEMENT OF RIGHT SIDE PARCEL DOOR TYPES I, II, AND III

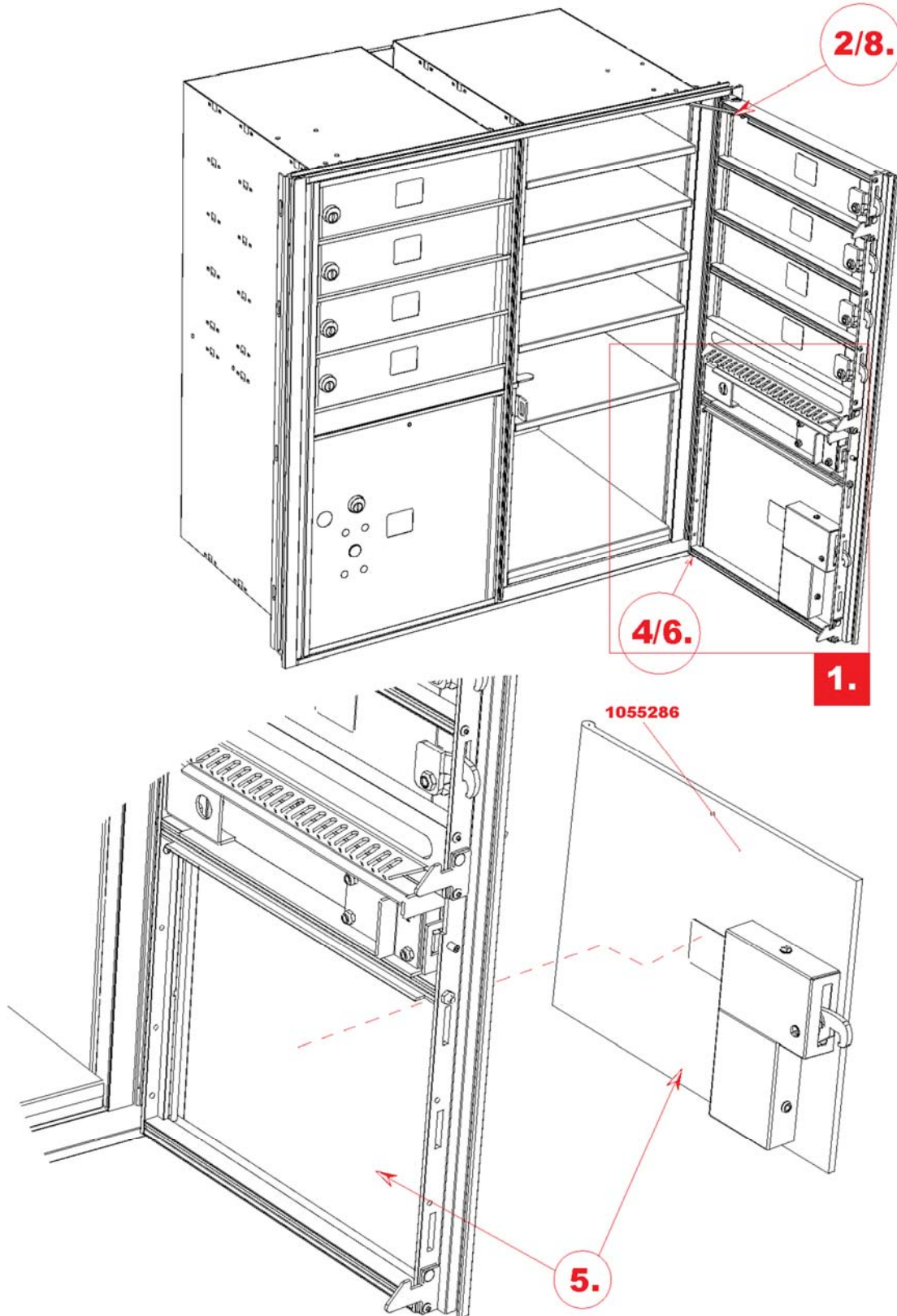
- | | |
|--|--|
| <p>1. OPEN MASTER LOADING DOOR</p> | <p>7. REPLACE PARCEL DOOR SPRING (SEE INSTRUCTIONS PAGE 30)</p> |
| <p>2. DISENGAGE HOLD OPEN MECHANISM (SEE INSTRUCTIONS PAGE 4)</p> | <p>8. REPLACE HOLD OPEN MECHANISM (SEE INSTRUCTIONS PAGE 4)</p> |
| <p>3. REMOVE PARCEL DOOR SPRING (SEE INSTRUCTIONS PAGE 30)</p> | <p>9. INSTALL LOCK MECHANISM (SEE INSTRUCTIONS PAGE 28)</p> |
| <p>4. REMOVE HINGE ROD (SEE INSTRUCTIONS PAGE 10)</p> | |
| <p>5. REPLACE PARCEL DOOR 1055286</p> | |
| <p>6. REINSTALL HINGE ROD (SEE INSTRUCTIONS PAGE 10)</p> | |

REQUIRED TOOLS	PART #	DESCRIPTION
1/8" ROD	1055329	HINGE ROD (TYPE III AND IV)
PORTABLE DRILL	1055286	PARCEL DOOR ASSEMBLY (3/4 SIZE)
HAMMER	1055912	HINGE ROD (TYPE I AND II)
PLIERS		

SALSBURY INDUSTRIES

18300 Central Avenue, Carson, CA 90746-4008
 Phone: 1-800-624-5269 Int'l Phone: 323-846-6700
 Fax: 1-800-624-5299 Int'l Fax: 323-846-6800
 www.mailboxes.com engineering@mailboxes.com

REPLACEMENT OF RIGHT SIDE PARCEL DOOR



SALSBURY INDUSTRIES

18300 Central Avenue, Carson, CA 90746-4008
Phone: 1-800-624-5269 Int'l Phone: 323-846-6700
Fax: 1-800-624-5299 Int'l Fax: 323-846-6800
www.mailboxes.com engineering@mailboxes.com

REPLACEMENT OF LEFT SIDE PATRON COMPARTMENT DOOR TYPES I, II, III, AND IV

- 1.** COMPLETELY OPEN LEFT SIDE MASTER DOOR SO THAT THE HINGE ROD IS VISIBLE

- 2.** REMOVE HINGE ROD (SEE INSTRUCTIONS PAGE 10)

- 3.** REPLACE COMPARTMENT DOOR 1055350 FOR TYPE I, II, AND III, OR 1055904 FOR TYPE IV

- 4.** REINSTALL HINGE ROD (SEE INSTRUCTIONS PAGE 10)

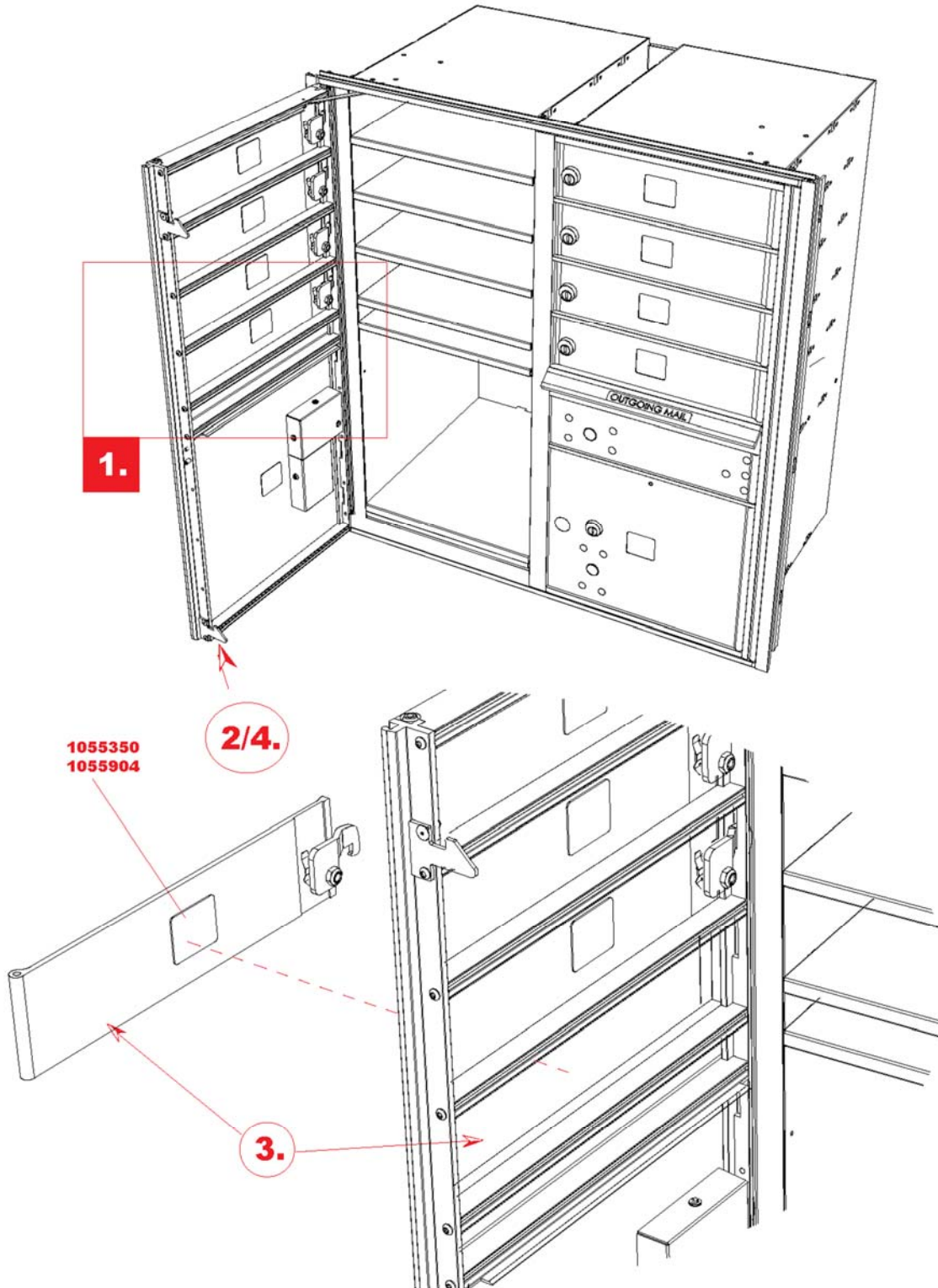
- 5.** INSTALL LOCK MECHANISM (SEE INSTRUCTIONS PAGE 22)

REQUIRED TOOLS	PART #	DESCRIPTION
1/8" ROD	1055329	HINGE ROD (TYPE III AND IV)
PORTABLE DRILL	1055904	5" COMPARTMENT DOOR
HAMMER	1055350	3" COMPARTMENT DOOR
PLIERS	1055912	HINGE ROD (TYPE I AND II)

SALSBURY INDUSTRIES

18300 Central Avenue, Carson, CA 90746-4008
 Phone: 1-800-624-5269 Int'l Phone: 323-846-6700
 Fax: 1-800-624-5299 Int'l Fax: 323-846-6800
 www.mailboxes.com engineering@mailboxes.com

REPLACEMENT OF LEFT SIDE PATRON COMPARTMENT DOOR



SALSBURY INDUSTRIES

18300 Central Avenue, Carson, CA 90746-4008
Phone: 1-800-624-5269 Int'l Phone: 323-846-6700
Fax: 1-800-624-5299 Int'l Fax: 323-846-6800
www.mailboxes.com engineering@mailboxes.com

REPLACEMENT OF LEFT SIDE PARCEL DOOR TYPES I, III AND IV

- 1.** COMPLETELY OPEN LEFT SIDE MASTER DOOR SO THAT THE HINGE ROD IS VISIBLE

- 2.** REMOVE HINGE ROD (SEE INSTRUCTIONS PAGE 10)

- 3.** REPLACE PARCEL DOOR 1055287 FOR TYPE I AND III, OR 1055286 FOR TYPE IV

- 4.** REINSTALL HINGE ROD (SEE INSTRUCTIONS PAGE 10)

- 5.** REPLACE PARCEL DOOR SPRING (SEE INSTRUCTIONS PAGE 30)

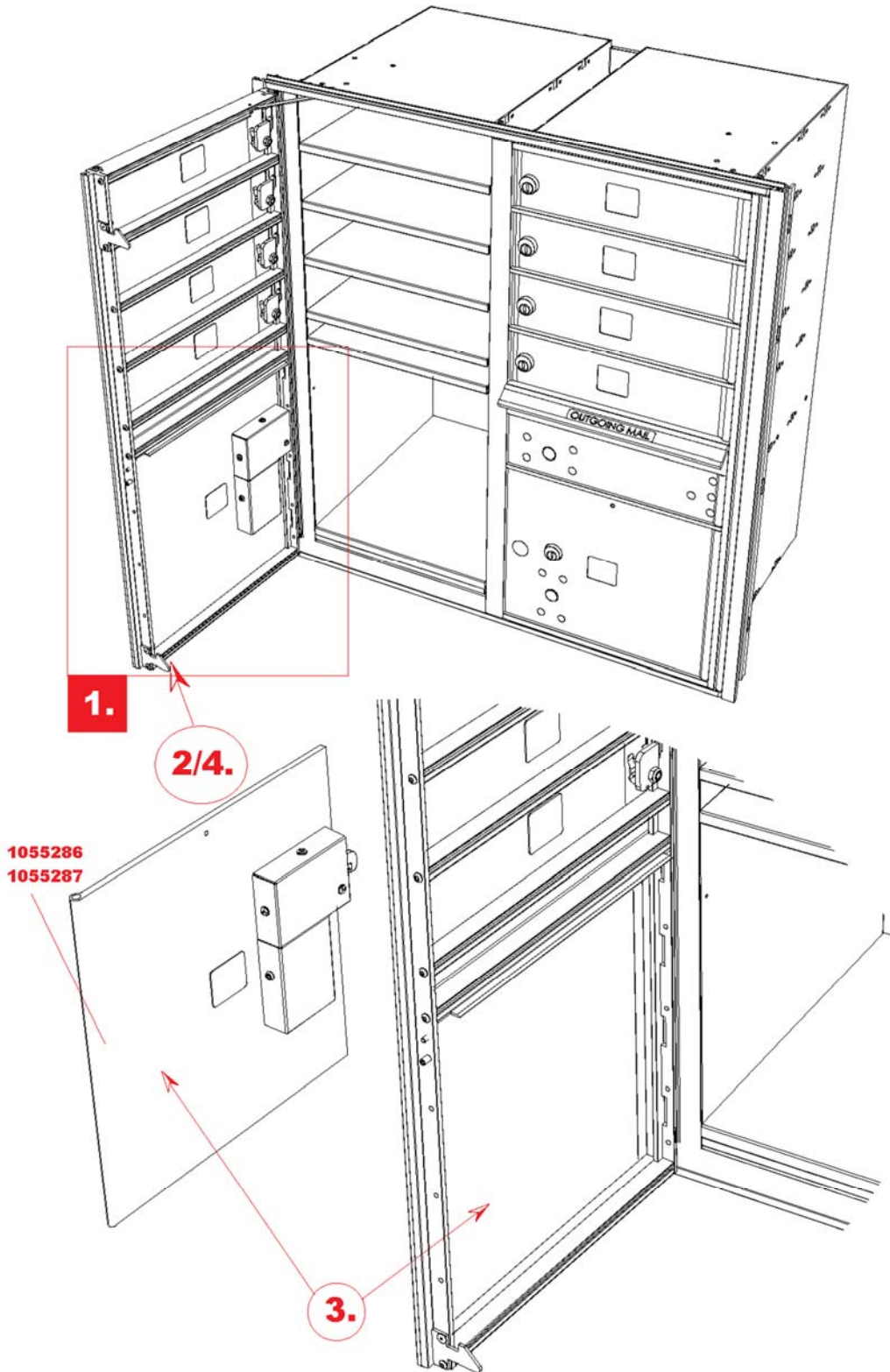
- 6.** INSTALL LOCK MECHANISM (SEE INSTRUCTIONS PAGE 28)

REQUIRED TOOLS	PART #	DESCRIPTION
1/8" ROD	1055329	HINGE ROD (TYPE III AND IV)
PORTABLE DRILL	1055287	PARCEL DOOR ASSY (FULL SIZE)
HAMMER	1055912	HINGE ROD (TYPE I AND II)
PLIERS	1055286	PARCEL DOOR ASSY (3/4 SIZE)

SALSBURY INDUSTRIES

18300 Central Avenue, Carson, CA 90746-4008
 Phone: 1-800-624-5269 Int'l Phone: 323-846-6700
 Fax: 1-800-624-5299 Int'l Fax: 323-846-6800
 www.mailboxes.com engineering@mailboxes.com

REPLACEMENT OF LEFT SIDE PARCEL DOOR



SALSBURY INDUSTRIES

18300 Central Avenue, Carson, CA 90746-4008
Phone: 1-800-624-5269 Int'l Phone: 323-846-6700
Fax: 1-800-624-5299 Int'l Fax: 323-846-6800
www.mailboxes.com engineering@mailboxes.com

REPLACEMENT OF PATRON LOCK

TYPES I, II, III, AND IV

- 1.** OPEN PATRON COMPARTMENT DOOR

- 2.** REMOVE 5/16-24 LOCK NUT AND CAM
1055369

- 3.** REMOVE CLIP WITH PLIERS (PULL
DOWN) FROM BACK OF COMPARTMENT
DOOR AND REMOVE PATRON LOCK
1055368

- 4.** INSTALL NEW PATRON LOCK
1055368 WITH CLIP

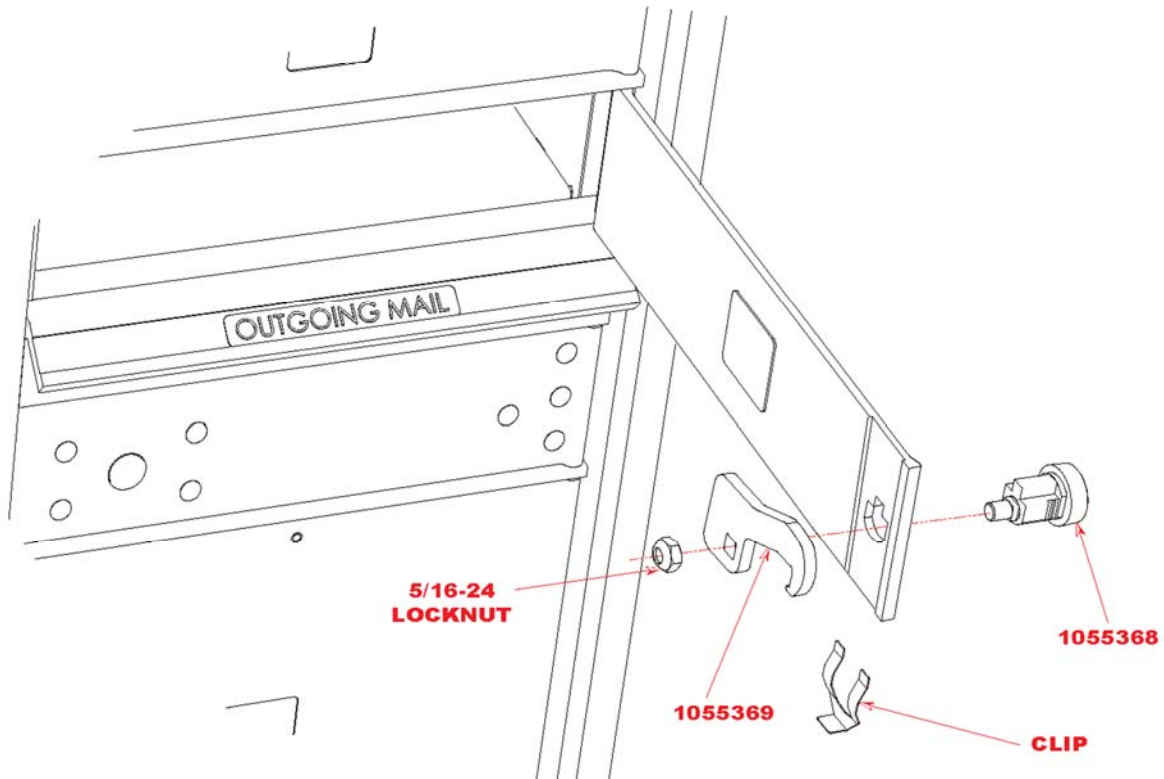
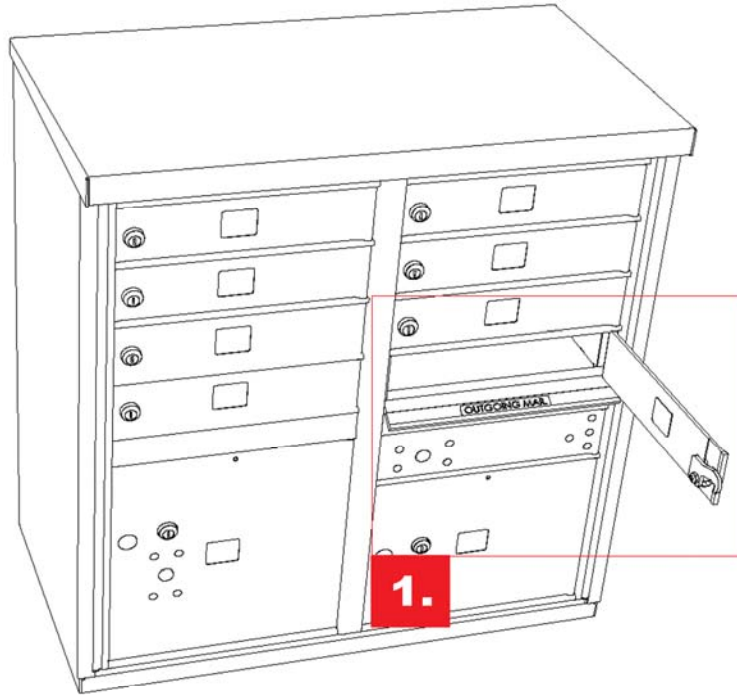
- 5.** INSTALL NEW CAM AND TIGHTEN 5/16-
24 LOCK NUT

REQUIRED TOOLS	PART #	DESCRIPTION
1/2" SOCKET WRENCH		CLIP (INCLUDED IN LOCK ASSEMBLY)
PLIERS	1055368	COMPARTMENT DOOR LOCK ASSEMBLY
	1055369	LOCK CAM
		5/16-24 LOCK NUT (INCLUDED IN LOCK ASSEMBLY)

SALSBURY INDUSTRIES

18300 Central Avenue, Carson, CA 90746-4008
 Phone: 1-800-624-5269 Int'l Phone: 323-846-6700
 Fax: 1-800-624-5299 Int'l Fax: 323-846-6800
 www.mailboxes.com engineering@mailboxes.com

REPLACEMENT OF PATRON LOCK



SALSBURY INDUSTRIES

18300 Central Avenue, Carson, CA 90746-4008
Phone: 1-800-624-5269 Int'l Phone: 323-846-6700
Fax: 1-800-624-5299 Int'l Fax: 323-846-6800
www.mailboxes.com engineering@mailboxes.com

REPLACEMENT OF ARROW LOCK

TYPES I, II, III, AND IV

- 1.** OPEN ARROW LOCK DOOR

- 2.** REMOVE FOUR (4) 70858 10-32 LOCK NUTS AND 1055372 PLATE - LOCK SUPPORT

- 3.** REPLACE ARROW LOCK INTO POSITION

- 4.** INSTALL 1055372 PLATE - LOCK SUPPORT AS SHOWN

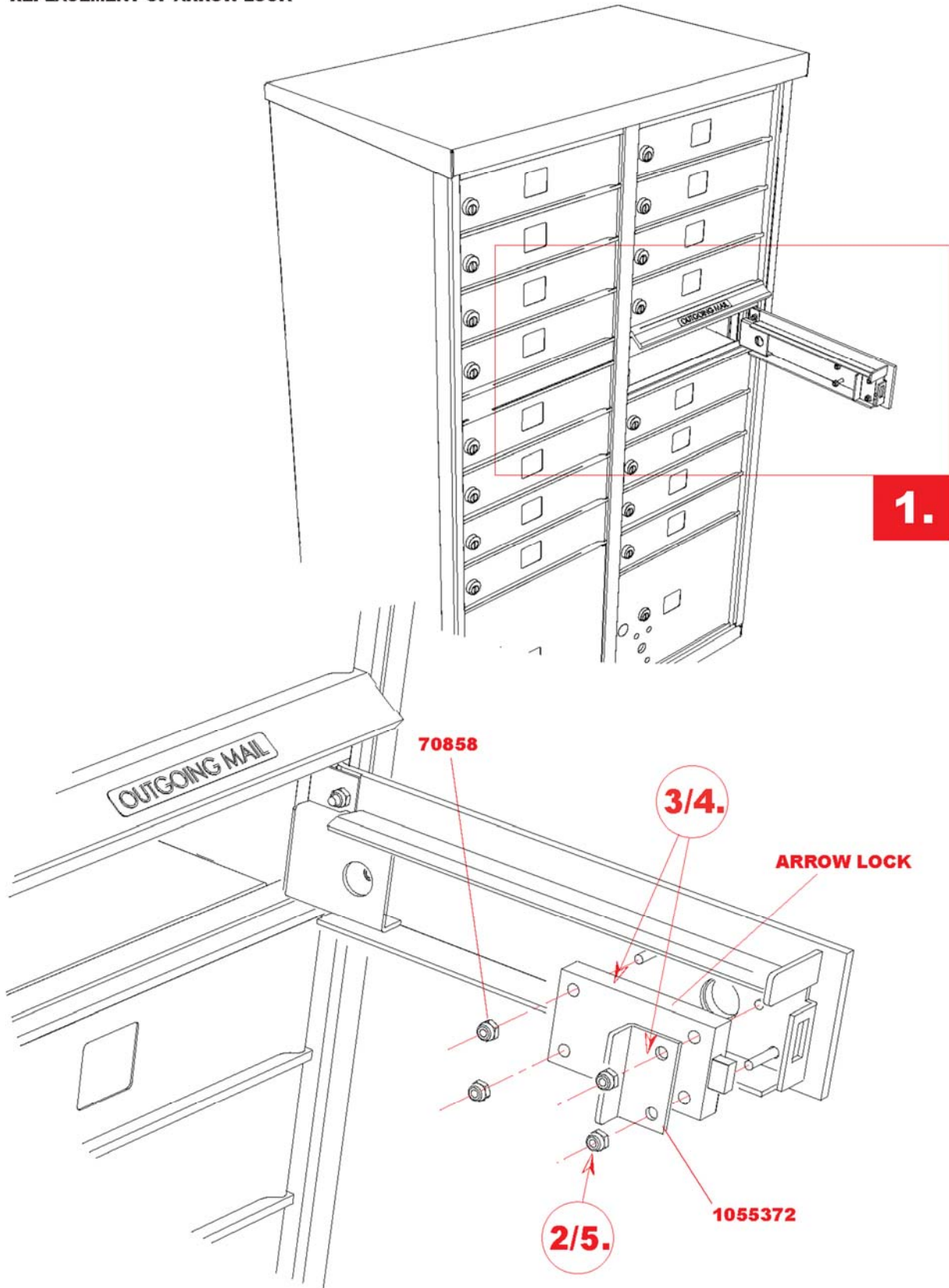
- 5.** REPLACE FOUR (4) 70858 10-32 LOCK NUTS

REQUIRED TOOLS	PART #	DESCRIPTION
3/8" SOCKET WRENCH	70858	10-32 LOCK NUT
PLIERS	1055372	PLATE - LOCK SUPPORT
		ARROW LOCK

SALSBURY INDUSTRIES

18300 Central Avenue, Carson, CA 90746-4008
 Phone: 1-800-624-5269 Int'l Phone: 323-846-6700
 Fax: 1-800-624-5299 Int'l Fax: 323-846-6800
 www.mailboxes.com engineering@mailboxes.com

REPLACEMENT OF ARROW LOCK



SALSBURY INDUSTRIES

18300 Central Avenue, Carson, CA 90746-4008
Phone: 1-800-624-5269 Int'l Phone: 323-846-6700
Fax: 1-800-624-5299 Int'l Fax: 323-846-6800
www.mailboxes.com engineering@mailboxes.com

REPLACEMENT OF ARROW LOCK LATCH/SLIDE HANDLE

TYPES I, II, III, AND IV

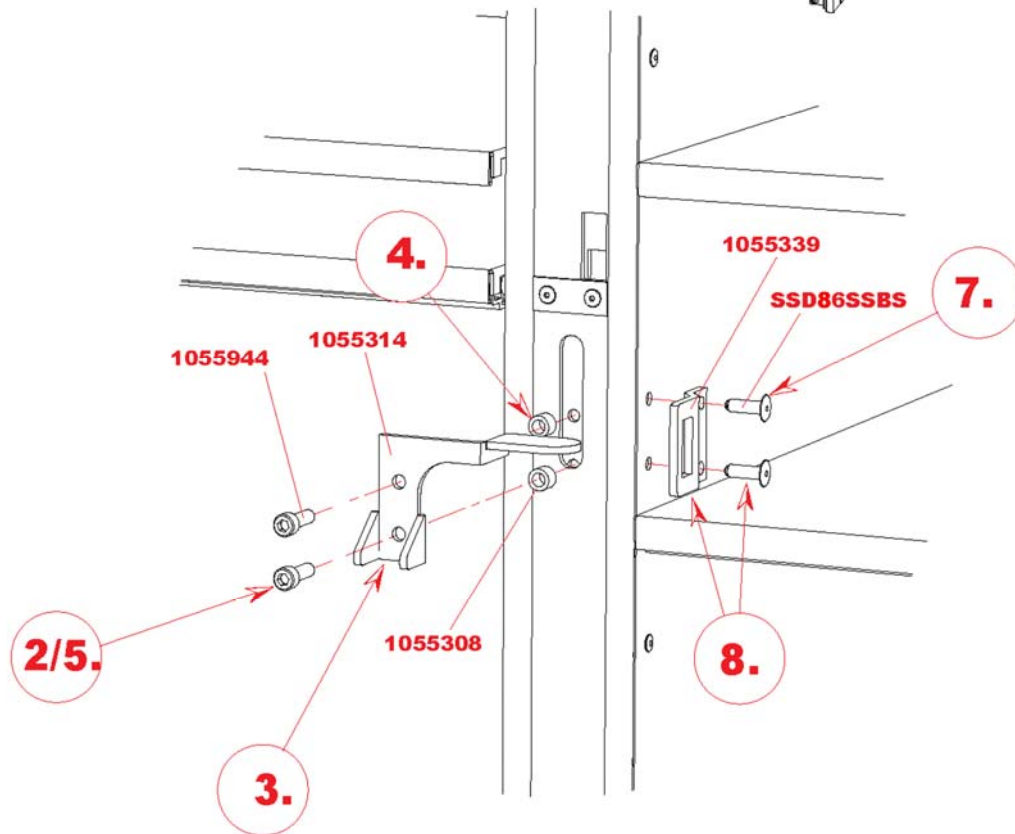
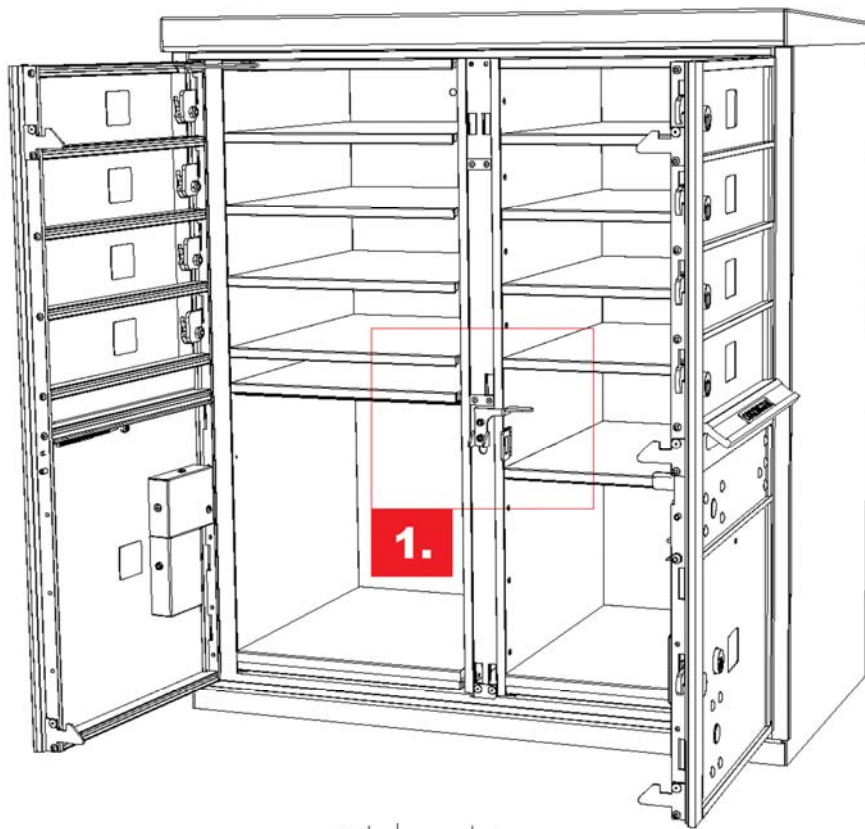
- 1.** OPEN BOTH MASTER DOORS
- 2.** **REPLACE HANDLE ASSEMBLY**
REMOVE TWO (2) 1055944 10-32 X .625 SHC SCREW
- 3.** REMOVE LATCH RELEASE BRACKET 1055314 - REPLACE WITH NEW LATCH RELEASE BRACKET
- 4.** REPLACE TWO (2) 1055308 SHOULDER BUSHINGS
- 5.** ALIGN WITH MOUNTING HOLES AND REPLACE TWO (2) 1055944 10-32 X .625 SHC SCREW
- 6.** CHECK FOR FIT/FUNCTION
- 7.** **REPLACE MLD LATCH CATCH**
DRILL OUT TWO (2) SSD66SSBS POP RIVETS
- 8.** REMOVE/REPLACE 1055339 LOCK BRACKET - REPLACE TWO (2) SSD86SSBS POP RIVETS
- 9.** CHECK FOR FIT/FUNCTION

REQUIRED TOOLS	PART #	DESCRIPTION
5/32" HEX BIT/ALLEN WRENCH	1055944	10-32 X .625" SHC SCREW
PORTABLE DRILL	1055314	RELEASE BRACKET
1/8" DRILL BIT	SSD86SSBS	1/4" DIA X 5/8" SS POP RIVET
PORTABLE POP RIVET GUN	1055308	BUSHING
	1055339	LOCK BRACKET

SALSBURY INDUSTRIES

18300 Central Avenue, Carson, CA 90746-4008
 Phone: 1-800-624-5269 Int'l Phone: 323-846-6700
 Fax: 1-800-624-5299 Int'l Fax: 323-846-6800
 www.mailboxes.com engineering@mailboxes.com

REPLACEMENT OF ARROW LOCK LATCH/SLIDE HANDLE



SALSBURY INDUSTRIES

18300 Central Avenue, Carson, CA 90746-4008
Phone: 1-800-624-5269 Int'l Phone: 323-846-6700
Fax: 1-800-624-5299 Int'l Fax: 323-846-6800
www.mailboxes.com engineering@mailboxes.com

REPLACEMENT OF PARCEL LOCK ASSEMBLY

TYPES I, II, III, AND IV

1. OPEN PARCEL DOOR, #1P ON TYPE I, TYPE II, TYPE III AND TYPE IV AND / OR #2P ON TYPE I AND TYPE III.

2. TO REMOVE/REPLACE COVERS:

A. REMOVE OR REPLACE PARCEL LOCK COVER 1055359 USING THREE (3) 1055294 10-32 X .375 1-WAY TAMPERPROOF SCREW

B: TO ACCESS ARROW LOCK REMOVE PARCEL LOCK COVER 1055361 BY REMOVING TWO (2) 1055292 10-32 X .312" MCGARD SCREWS USING POSTAL MES NO. 110050 MCGARD SCREW DRIVER.

3. TO REMOVE/REPLACE ARROW LOCK:

A. REMOVE FOUR (4) 70858 10-32 LOCK NUTS - REMOVE ARROW LOCK

B. REPLACE NEW ARROW LOCK - REPLACE FOUR (4) 70858 10-32 LOCK NUTS

4. TO REMOVE/REPLACE PARCEL LOCK CAM ASSEMBLY:

A. REMOVE ONE (1) 5/16-24 LOCK NUT (INCLUDED IN LOCK ASSEMBLY)

B. REMOVE ONE (1) 3636SS12 3/8-24 HEX NUT

C. REPLACE ONE (1) 5/16-24 LOCK NUT (INCLUDED IN LOCK ASSEMBLY)

D. REPLACE ONE (1) 3636SS12 3/8-24 HEX NUT

5. TO REMOVE/REPLACE PARTON LOCK:

A. REMOVE ONE (1) 5/16-24 LOCK NUT (INCLUDED WITH LOCK ASSEMBLY). REMOVE ONE (1) LOCK CLIP AND LOCK.

B. REPLACE NEW LOCK - REPLACE ONE (1) LOCK CLIP AND ONE (1) 5/16-24 LOCK NUT (INCLUDED WITH LOCK ASSEMBLY).

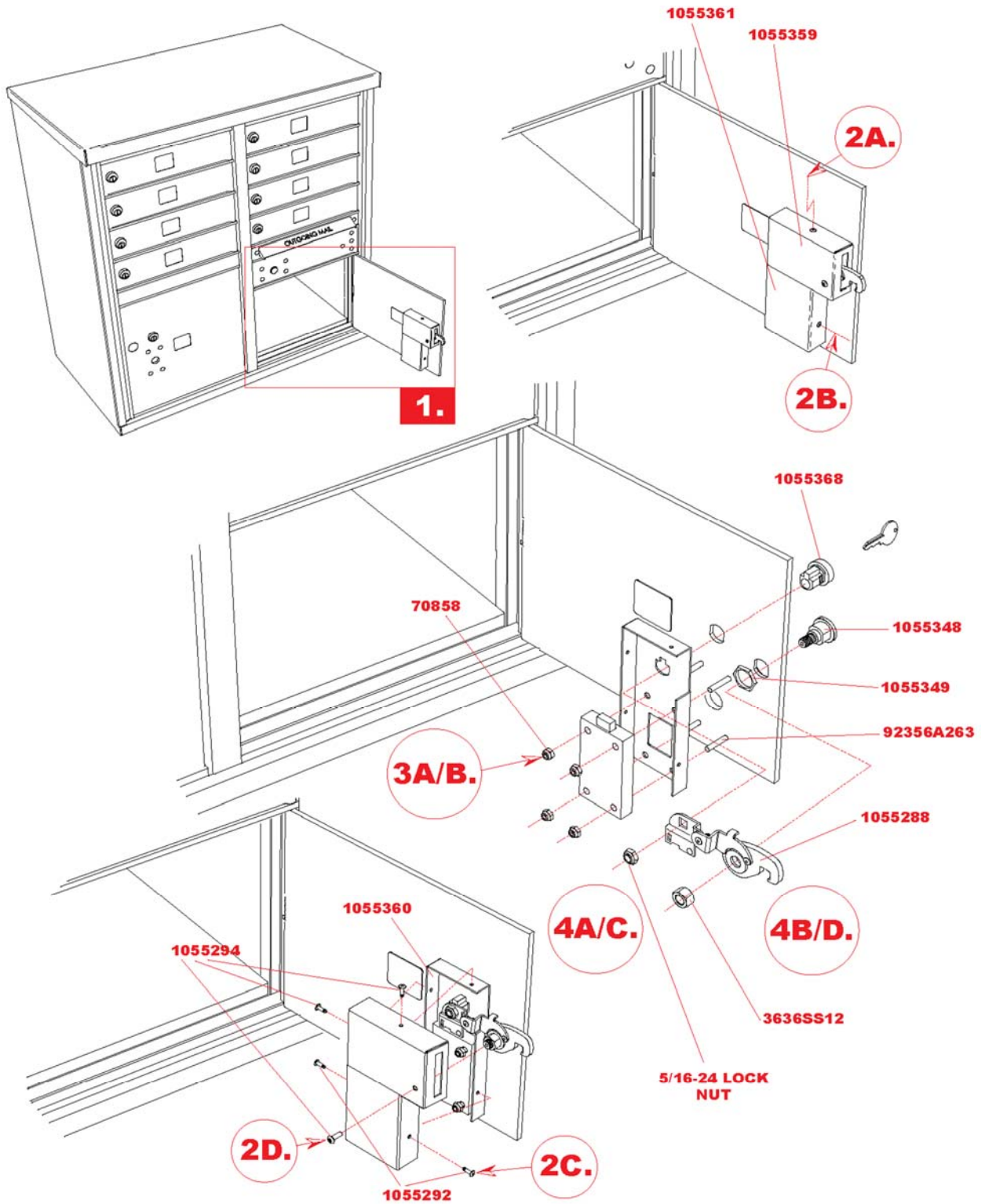
REQUIRED TOOLS
9/16" SOCKET WRENCH
1/2" SOCKET WRENCH
MCGARD SCREW DRIVER
1-WAY REMOVAL SCREWDRIVER
STANDARD SCREWDRIVER

PART #	DESCRIPTION
1055292	10-32 X .312" UNF-2A 18-8 SS PASSIVATED MCGARD SCREW
1055294	10-32 x .375" UNF-2A 18-8 SS PASSIVATED 1-WAY TAMPERPROOF SCREW
92356A263	10-32 PRESS FIT CARRIAGE BOLT
70858	10-32 LOCK NUT
1055368	CUSTOMER DOOR LOCK ASSEMBLY
1055348	PARCEL DOOR BEARING
1055349	PARCEL DOOR LOCK PLUG NUT
1055359	COVER - LATCHING ASSEMBLY
1055360	PARCEL LOCK MOUNTING PLATE
1055361	COVER - ARROW LOCK
1055288	LOCK ASSEMBLY - PARCEL
	5/16-24 LOCK NUT (INCL. WITH M20658017TN90JJ)
3636SS12	3/8-24 HEX NUT

SALSBUURY INDUSTRIES

18300 Central Avenue, Carson, CA 90746-4008
 Phone: 1-800-624-5269 Int'l Phone: 323-846-6700
 Fax: 1-800-624-5299 Int'l Fax: 323-846-6800
 www.mailboxes.com engineering@mailboxes.com

REPLACEMENT OF PARCEL LOCK ASSEMBLY



SALSBURY INDUSTRIES

18300 Central Avenue, Carson, CA 90746-4008
 Phone: 1-800-624-5269 Int'l Phone: 323-846-6700
 Fax: 1-800-624-5299 Int'l Fax: 323-846-6800
 www.mailboxes.com engineering@mailboxes.com

REPLACEMENT OF PARCEL DOOR SPRING TYPES I, II, III AND IV

- 1.** OPEN MASTER LOADING DOOR

- 2.** PLACE ONE END OF PARCEL DOOR SPRING 1055455 OVER THREADED POST ON PARCEL DOOR AND TIGHTEN ONE (1) 70856 8-32 LOCK NUT

- 3.** INSERT OPPOSITE END OF SPRING THROUGH ONE (1) 1055352 8-32 X 0.375 TAPTITE TORX HEAD SCREW AND TIGHTEN TO FRAME AS SHOWN

REQUIRED TOOLS	PART #	DESCRIPTION
HAMMER	70856	8-32 LOCK NUT
T-15 TORX HEAD SCREWDRIVER/BIT	1055455	PARCEL DOOR SPRING
PLIERS	1055352	8-32 x 0.375 TAPTITE TORX HEAD
11/32" SOCKET WRENCH		

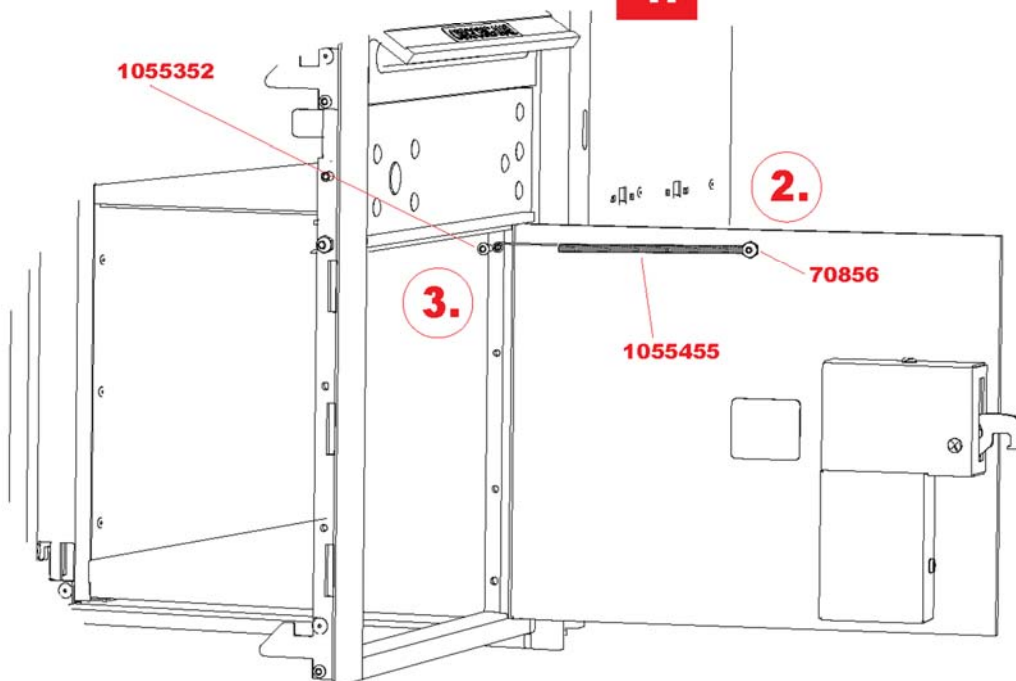
SALSBURY INDUSTRIES

18300 Central Avenue, Carson, CA 90746-4008
 Phone: 1-800-624-5269 Int'l Phone: 323-846-6700
 Fax: 1-800-624-5299 Int'l Fax: 323-846-6800
 www.mailboxes.com engineering@mailboxes.com

REPLACEMENT OF PARCEL DOOR SPRING



1.



SALSBURY INDUSTRIES

18300 Central Avenue, Carson, CA 90746-4008
Phone: 1-800-624-5269 Int'l Phone: 323-846-6700
Fax: 1-800-624-5299 Int'l Fax: 323-846-6800
www.mailboxes.com engineering@mailboxes.com

REPLACEMENT OF SHELF TYPES I, II, III AND IV

- 1.** OPEN MASTER LOADING DOORS

- 2.** WITH A HAMMER APPLY FORCE UNDERNEATH THE SHELF TO BE REMOVED, DISLODGING IT FROM THE METAL SNAPS HOLDING IT TO THE INSERT PANEL. LIFT AND PULL TOWARD FRONT OF CBU

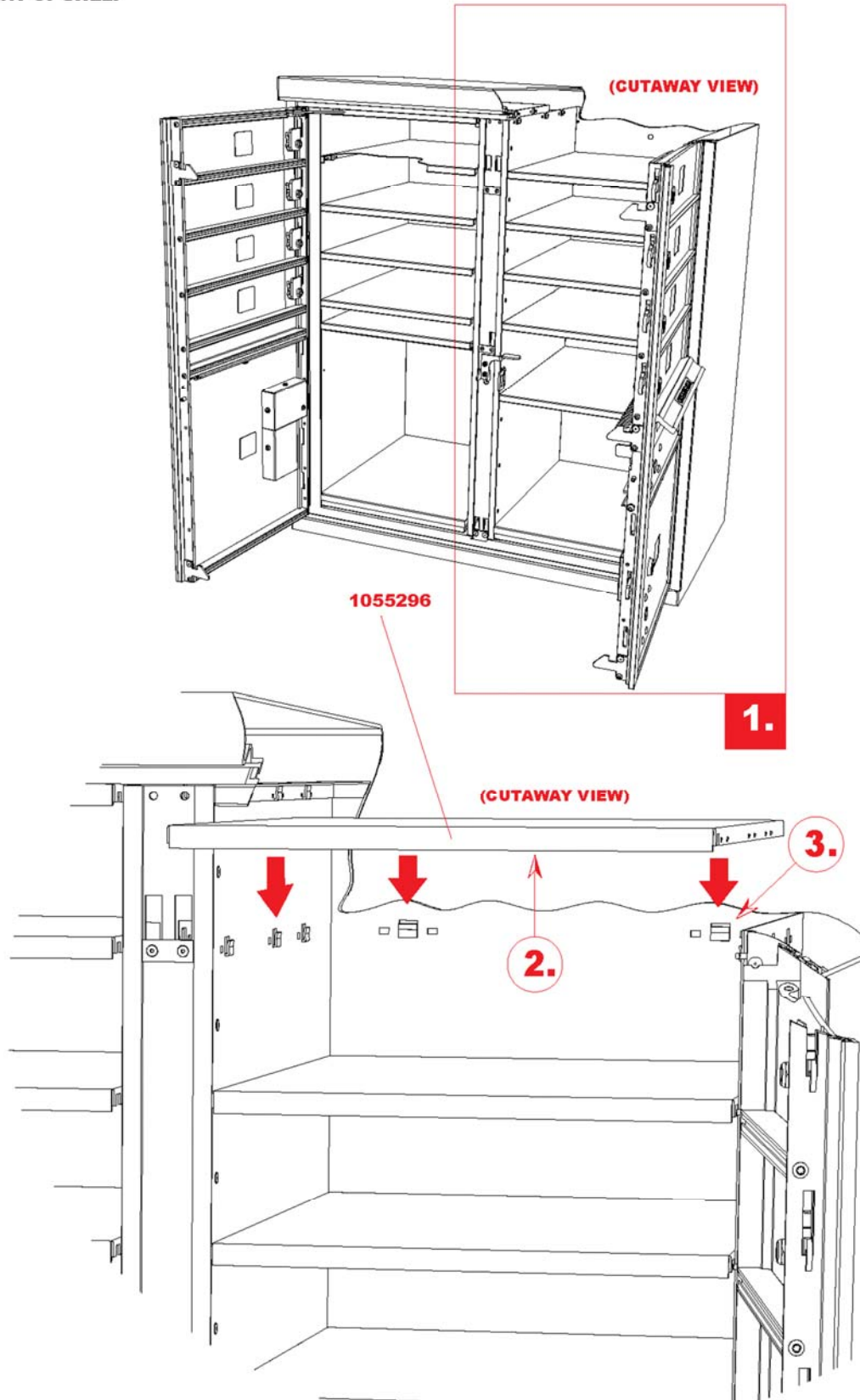
- 3.** TO REPLACE THE SHELF, PLACE IT ABOVE THE METAL SNAPS, ALIGN IT FRONT TO BACK, AND APPLY FORCE WITH A HAMMER TO SNAP THE SHELF BACK INTO PLACE

THIS PROCEEDURE WILL NOT WORK FOR THE SHELF ABOVE A PARCEL LOCKER.

REQUIRED TOOLS	PART #	DESCRIPTION
HAMMER	1055296	SHELF

SALSBURY INDUSTRIES	
18300 Central Avenue, Carson, CA 90746-4008	
Phone: 1-800-624-5269	Int'l Phone: 323-846-6700
Fax: 1-800-624-5299	Int'l Fax: 323-846-6800
www.mailboxes.com	engineering@mailboxes.com

REPLACEMENT OF SHELF



SALSBURY INDUSTRIES

18300 Central Avenue, Carson, CA 90746-4008
Phone: 1-800-624-5269 Int'l Phone: 323-846-6700
Fax: 1-800-624-5299 Int'l Fax: 323-846-6800
www.mailboxes.com engineering@mailboxes.com

REPLACEMENT OF MASTER LOADING DOOR SLIDE MECHANISM TYPES I, II, III AND IV

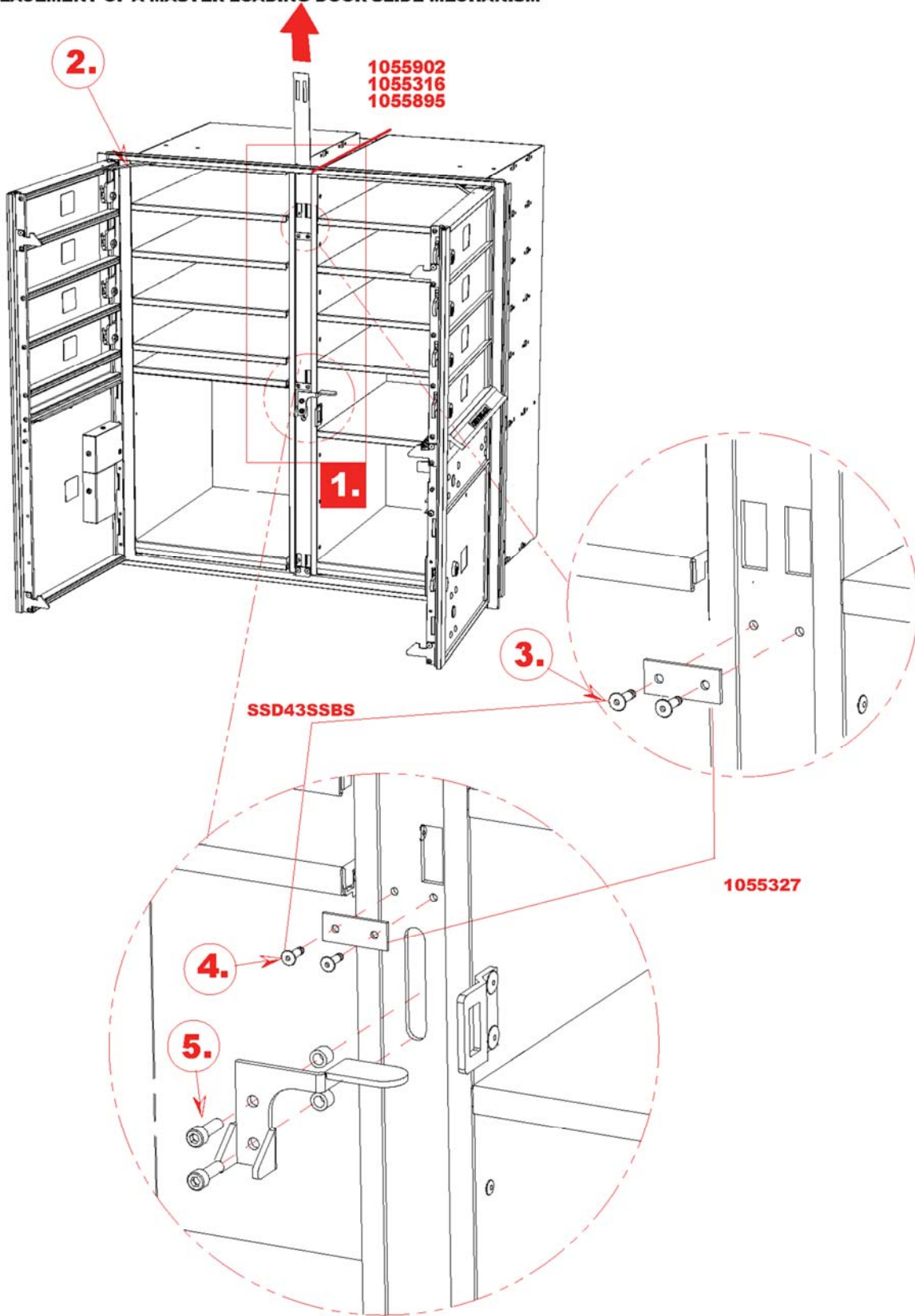
- 1.** OPEN MASTER LOADING DOORS
- 2.** COMPLETELY REMOVE INSERT ASSEMBLY
(SEE INSTRUCTIONS - PAGE 6)
- 3.** DRILL OUT TWO (2) SSD43SSBS 1/8" POP RIVETS AT TOP OF SLIDE MECHANISM AND REMOVE WEAR PLATE
- 4.** DRILL OUT TWO (2) SSD43SSBS 1/8" POP RIVETS NEAR ARROW LATCH AND REMOVE WEAR PLATE
- 5.** REMOVE ARROW LATCH HANDLE (SEE INSTRUCTIONS PAGE 26)
- 6.** REMOVE THE OLD SLIDE FROM THE TOP OF THE INSERT ASSEMBLY
- 7.** REPLACE SLIDE MECHANISM AND REVERSE STEPS 1-6

REQUIRED TOOLS	PART #	DESCRIPTION
CORDLESS DRILL	SSD43SSBS	1/8" DIA X .328" L POP RIVET SS
PORTABLE POP RIVET GUN	1055316	SLIDE MECH. FOR TYPE III
1/8" DRILL BIT	1055327	WEAR PLATE
3/16" DRILL BIT	1055895	SLIDE MECH FOR TYPE I, II
5/32" HEX BIT/ALLEN WRENCH	1055902	SLIDE MECH. FOR TYPE IV

SALSBURY INDUSTRIES

18300 Central Avenue, Carson, CA 90746-4008
 Phone: 1-800-624-5269 Int'l Phone: 323-846-6700
 Fax: 1-800-624-5299 Int'l Fax: 323-846-6800
 www.mailboxes.com engineering@mailboxes.com

REPLACEMENT OF A MASTER LOADING DOOR SLIDE MECHANISM



SALSBURY INDUSTRIES

18300 Central Avenue, Carson, CA 90746-4008
Phone: 1-800-624-5269 Int'l Phone: 323-846-6700
Fax: 1-800-624-5299 Int'l Fax: 323-846-6800
www.mailboxes.com engineering@mailboxes.com

REPLACEMENT OF PEDESTAL TYPES I, II, III AND IV

1. OPEN MASTER LOADING DOORS

6. TO REPLACE CBU CABINET, REVERSE STEPS 1-4

2. REMOVE LEFT AND RIGHT SIDE 1055344 FLOATING SHELVES, EXPOSING MOUNTING HOLES

WARNING: 2 PEOPLE REQUIRED TO REMOVE CABINET FROM PEDESTAL, UNIT IS FRONT HEAVY.

3. REMOVE FOUR (4) 3632SS12 3/8-16 HEX NUTS AND FOUR (4) 903168SS12 3/8" X .688 OD LOCK WASHERS

4. FROM UNDERNEATH UNIT, REMOVE FOUR (4) 74437 3/8-16 X 1.25 CARRIAGE BOLTS

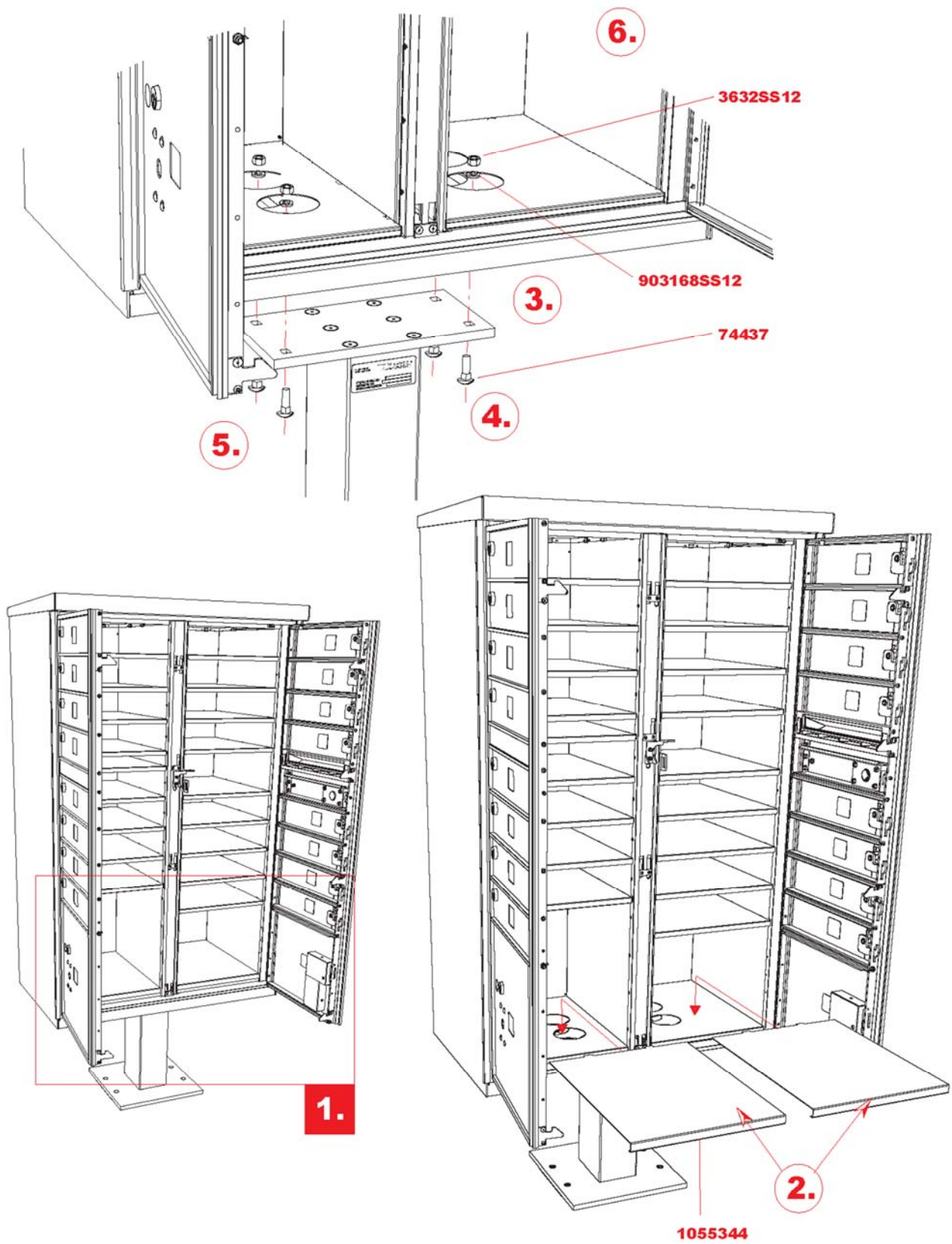
5. UNBOLT UNIT FROM GROUND
REPLACE PEDESTAL AND MOUNT TO GROUND

REQUIRED TOOLS	PART #	DESCRIPTION
9/16" SOCKET WRENCH	3632SS12	3/8-16 HEX NUT
	74437	3/8-16 X 1.25 CARRIAGE BOLT
	1055344	FLOATING SHELF
	1055280-2	PEDESTAL FOR TYPE I, II
	1055280-1	PEDESTAL FOR TYPE III, IV
	903168SS12	3/8" X .688 OD LOCK WASHER

SALSBURY INDUSTRIES

18300 Central Avenue, Carson, CA 90746-4008
 Phone: 1-800-624-5269 Int'l Phone: 323-846-6700
 Fax: 1-800-624-5299 Int'l Fax: 323-846-6800
 www.mailboxes.com engineering@mailboxes.com

REPLACEMENT OF A PEDESTAL



SALSBUY INDUSTRIES

18300 Central Avenue, Carson, CA 90746-4008
Phone: 1-800-624-5269 Int'l Phone: 323-846-6700
Fax: 1-800-624-5299 Int'l Fax: 323-846-6800
www.mailboxes.com engineering@mailboxes.com

Part#	Description	QTY Type 1	QTY Type 2	QTY Type 3	QTY Type 4
92356A265	BOLT-CARRIAGE 10-32 X 1.5	2	2	2	2
1055915	CLIP-LOCK	10	13	18	14
R03820-.250	RIVET TUBULAR .125 X .250 SS	2	1	2	1
R03820-.312	RIVET TUBULAR .125 X .312 SS	2	1	2	1
1055291	LABEL LOCK & KEY	1	1	1	1
1055292	SCREW- 10-32 X .312 MCGARD	4	2	4	2
1055294	SCREW- 10-32 X .375 ONE WAY	6	3	6	3
1055944	SCREW 10-32 X .62	2	2	2	2
1055296	SHELF-CENTER	10	13	18	14
3632SS12	NUT-HEX 3/8-16	4	4	4	4
70858	NUT-LOCK 10-32 W/NYLON SS	18	14	20	14
70856	NUT-LOCK 8-32 W/NYLON SS	2	1	2	1
903168SS12	WASHER-LOCK	4	4	4	4
SSD43SSBS	RIVET-POP .125 X .328	75	65	92	67
74437	BOLT-CARRIAGE 3/8-16 X 1.25	4	4	4	4
1055297	PLATE-OUTGOING MAIL	1	1	1	1
1055298	LABEL, PARCEL LOCKER KEY	6	3	6	3
1055299	KEY CHAIN, PARCEL LOCKER	6	3	6	3
1055300	SCREW 8-32 X .75	40	44	54	46
1055301	SCREW-SHOULDER 6-32 X .187 SS	2	2	2	2
92356A263	BOLT-CARRIAGE 10-32 X 1.25	10	6	10	6
1055302	SHELF-TOP RT	1	1	1	1
1055303	LATCH-HOLD OPEN RT	1	1	1	1
1055304	SHELF-TOP LT.	1	1	1	1
1055305	LATCH-HOLD OPEN LT	1	1	1	1
1055271	SHELF ASSY-TOP RT	1	1	1	1
1055272	SHELF ASSY-TOP LT	1	1	1	1
1055306	GUARD-HOLD OPEN	2	2	2	2
1055307	HINGE-COLLECTION DOOR 3"	1	1	1	
1055308	SPACER-SHELF	2	1	2	1
92356A257	BOLT-CARRIAGE 10-32 X .625 SS	4	4	4	4
66572SS20-12	SCREW- 8-32 X .625 PRESS FIT	2	1	2	1
1055455	SPRING-PARCEL RETURN	2	1	2	1
12955	NUT-LOCK 10-32 SS	2	2	2	2
1055273	INSERT PANEL ASSY-LT T3			1	
1055274	INSERT PANEL ASSY-RT T3			1	
1055275	CABINET ASSY-T3 & T4			1	1
1055310	PANEL-INSERT T3 LT			1	
1055311	PANEL-INSERT T3 RT			1	
1055312	SHELF SUPPORT	2	1	2	1
1055313	PLATE-JOINER	2	2	2	2
1055881	PANEL-INSERT LT T1	1			
1055882	PANEL-INSERT RT T1 & T2	1	1		
1055883	MLD ASSY.-RT.	1	1		
1055314	RELEASE-LATCH	1	1	1	1
1055884	HOUSING-SLIDE T4				1
1055315	HOUSING-SLIDE T3			1	
1055316	SLIDE-LATCH T3			1	
1055885	MLD ASSY.-LT T1	1			
1055317	BRACKET-ARROW LOCK	1	1	1	1

SALSBURY INDUSTRIES

18300 Central Avenue, Carson, CA 90746-4008
Phone: 1-800-624-5269 Int'l Phone: 323-846-6700
Fax: 1-800-624-5299 Int'l Fax: 323-846-6800
www.mailboxes.com engineering@mailboxes.com

Part#	Description	QTY Type 1	QTY Type 2	QTY Type 3	QTY Type 4
1055318	DOOR-COLLECTION	1	1	1	
1055319	SHELF-BTM. LEFT	1	1	1	1
1055320	SHELF-BTM RT	1	1	1	1
1055321	CROSSBAR-TOP RT	1	1	1	1
1055322	CROSSBAR-BTM	2	2	2	2
1055323	CROSSBAR-CTR.	6	9	13	10
1055324	CROSSBAR-ANTI PRY	1	1	2	1
1055325	HOOK-LATCH	5	5	6	6
1055326	CROSSBAR-TOP LT	1	1	1	1
1055327	PLATE-WEAR	2	2	3	3
1055328	BUSHING	2	2	2	2
1055329	PIN-HINGE T3 & T4			2	2
1055336	HINGE-INNER RT T4				1
1055887	HINGE-INNER LT T4				1
1055888	LT SIDE OF RT MLD T4				1
1055330	ACTUATOR	2	1	2	1
1055331	DOOR SIDE-LT T3			1	
1055332	RT SIDE OF LT MLD T3			1	
1055333	HINGE-OUTER LT			1	1
1055334	HINGE-INNER LT T3			1	
1055335	HINGE-OUTER RT			1	1
1055336	HINGE-INNER RT			1	
1055337	SHIM-HOOK	3	3	4	4
SSD66SSBS	RIVET-POP 3/16 X 0.55 SS	11	11	12	12
1055338	BRACE, TOP & BTM	2	2	2	2
1055339	LATCHING BRACKET	1	1	1	1
1055340	HOLD OPEN ARM	2	2	2	2
1055889	CABINET ASSY-T1 & T2	1	1		
1055890	WRAPPER-CABINET T1 & T2	1	1		
1055891	BRACKET-MOUNTING LT.T1 & T2	1	1		
1055950	BRACKET-MOUNTING RT.T1 & T2	1	1		
1055341	BRACKET-MOUNT RT T3 & T4			1	1
1055342	BRACKET-MOUNT LT T3&T4			1	1
1055343	WRAPPER-CABINET T3 & T4			1	1
1055344	SHELF-FLOATING	2	2	2	2
1055276	SHELF ASSY.-BTM	1	1	1	1
1055345	SHELF-BTM	1	1	1	1
1055346	CHANNEL- BTM CABINET	2	2	2	2
1055347	HOOK-CAM	2	1	2	1
1055952	HINGE-OUTER RT T1 & T2	1	1		
1055953	OUTER HINGE T1 & T2	1	1		
1055895	SLIDE T1 & T2	1	1		
1055896	HOUSING -SLIDE T1 & T2	1	1		
1055897	HINGE-INNER LT T1 & T2	1	1		
1055898	HINGE- INNER RT T1 & T2	1	1		
1055277	MLD ASSY.-LT T3			1	
1055348	BEARING-HOOK CAM	2	1	2	1
1055899	LT SIDE OF RT MLD T1 & T2	1	1		
1055900	RT SIDE OF LT MLD T1 & T2	1	1		
1055349	NUT-HEX THIN 3/4-27	2	1	2	1
1055278	MLD ASSY.-RT.T3			1	

SALSBURY INDUSTRIES

18300 Central Avenue, Carson, CA 90746-4008
Phone: 1-800-624-5269 Int'l Phone: 323-846-6700
Fax: 1-800-624-5299 Int'l Fax: 323-846-6800
www.mailboxes.com engineering@mailboxes.com

Part#	Description	QTY Type 1	QTY Type 2	QTY Type 3	QTY Type 4
1055457	BUMPER-SELF ADHESIVE	4	2	4	2
1055332	RT SIDE OF LT MLD T4				1
1055902	SLIDE T4				1
1055903	DOOR-COLLECTION T4				1
1055904	DOOR-COMPARTMENT T4				13
1055922	MLD ASSY.-LT T2		1		
1055350	DOOR-COMPARTMENT	8	12	16	
1055906	PANEL-INSERT T2		1		
1055907	PANEL INSERT LT T4				1
1055908	INSERT PANEL RT T4				1
1055279	DOOR ASSY.-COLLECTION	1	1	1	
1055909	DOOR ASSY-COLLECTION T4				1
1055910	HOUSING ASSY-SLIDE T1 & T2	1	1		
1055458	SCREW-TORX 8-32 X .50	11	11	15	15
1055308	SPACER	2	2	2	2
1055273/274	INSERT PANEL ASSY -T3			1	
1055912	PIN-HINGE T1 & T2	2	2		
1055352	SCREW-TORX 8-32 X .375	2	1	2	1
1055283	HOUSING ASSY T3			1	
1055284	MLD ASSY.-FINAL RT T3			1	
1055285	MLD ASSY.-FINAL LT T3			1	
1055917	DOOR ASSY.-MLD FINAL RT T1 & T2	1	1		
1055885	DOOR ASSY.-MLD FINAL LT T1	1			
1055918	INSERT PANEL ASSY T1	1			
1055919	PANEL ASSY.-INSERT LT T1	1			
1055920	PANEL ASSY.-INSERT RT. T1 & T2	1	1		
1055921	PANEL ASSY.-INSERT LT T2		1		
1055922	MLD ASSY.- FINAL LT T2		1		
1055282	INSTALLATION MANUAL	1	1	1	1
1055923	INSERT PANEL ASSY-T2		1		
1055924	HINGE-COLLECTION DOOR 5"				1
1055926	MLD ASSY.-LT T4				1
1055927	MLD ASSY.-FINAL LT T4				1
1055356	BLANK-DOOR		1	1	1
1055928	BLANK- DOOR T1	1			
1055929	MLD ASSY.-RT T4				1
1055930	MLD ASSY.-FINAL RT T4				1
1055931	INSERT & SHELF ASSY-RT T4				1
1055932	INSERT & SHELF ASSY-LT T4				1
1055933	HOUSING ASSY-SLIDE T4				1
1055934	INSERT PANEL ASSY T4				1
1055935	MLD/INSERT ASSY.-FINAL T4				1
1055286	DOOR ASSY.-PARCEL 3/4	1	1	1	1
1055357	SPRING-PARCEL LOCK	2	1	2	1
1055358	CAM- 910A PARCEL LOCK	2	1	2	1
1055395	DOOR-PARCEL 3/4 SIZE	1	1	1	1
1055396	DOOR-PARCEL FULL	1		1	
1055359	COVER-LATCHING ASSY	2	1	2	1
1055287	DOOR ASSY.-PARCEL FULL SIZE	1		1	
1055360	MOUNTING BRACKET - PARCEL LOCK ASSY	2	1	2	1
1055361	COVER-ARROW LOCK	2	1	2	1

SALSBURY INDUSTRIES

18300 Central Avenue, Carson, CA 90746-4008
Phone: 1-800-624-5269 Int'l Phone: 323-846-6700
Fax: 1-800-624-5299 Int'l Fax: 323-846-6800
www.mailboxes.com engineering@mailboxes.com

Part#	Description	QTY Type 1	QTY Type 2	QTY Type 3	QTY Type 4
1055362	INSERT-THREADED	2	2	2	2
1055363	BRACKET-STFNR TP & BTM.	1	1	1	1
1055364	ROD-THREADED	1	1	2	1
1055309-T1	NAMEPLATE KIT T1	1			
1055309-T2	NAMEPLATE KIT T2		1		
1055309-T3	NAMEPLATE KIT T3			1	
1055309-T4	NAMEPLATE KIT T4				1
356080SS12	WASHER-BEARING	2	1	2	1
1055936	DOOR/INSERT ASSY. T1	1			
1055937	DOOR/INSERT ASSY. T2		1		
1055288	LOCK ASSY.-PARCEL	2	1	2	1
1055289	DOOR/INSERT ASSY. T3			1	
3636SS12	NUT-HEX .375-24 SS	2	1	2	1
1055366	PLATE-ID CABINET	1	1	1	1
1055367	MAIL SLOT CROSSBAR	1	1	1	1
1055368	LOCK ASSY-910A	10	13	18	14
1055369	CAM-LOCK HS	8	12	16	13
1055370	TOP-CABINET	1	1	1	1
1055290	PLATE ASSY.-HS ARROW LOCK	1	1	1	1
1055371	PLATE-WELD	1	1	1	1
1055945	PLATE-LATCH LOCK	1	1	1	1
1055372	PLATE-LOCK SUPPORT	1	1	1	1
1055373	PLATE-ANTI FISH	1	1	1	1
1055374	SPRING-PARCEL CAM	2	1	2	1
1055300	SCREW 8-32 X .75	2	2	2	2

SALSBURY INDUSTRIES

18300 Central Avenue, Carson, CA 90746-4008
Phone: 1-800-624-5269 Int'l Phone: 323-846-6700
Fax: 1-800-624-5299 Int'l Fax: 323-846-6800
www.mailboxes.com engineering@mailboxes.com